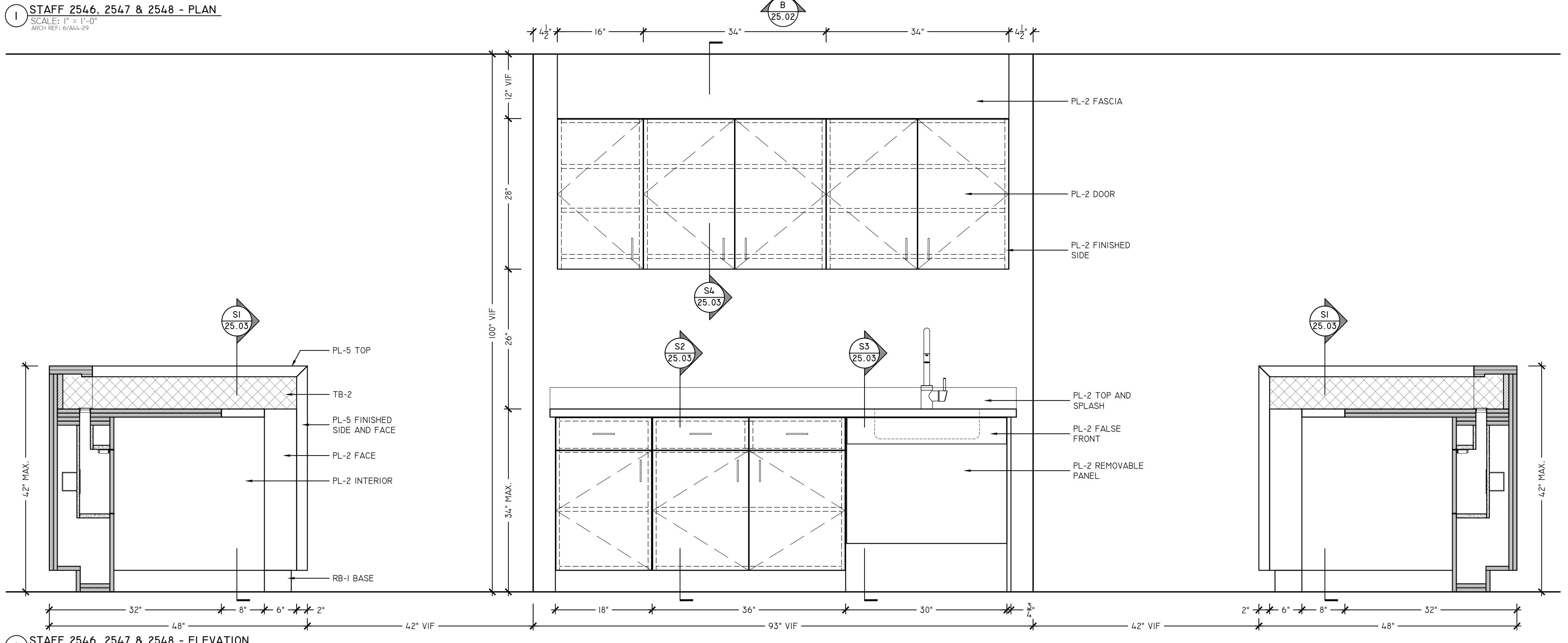


1 STAFF 2546, 2547 & 2548 - PLAN
SCALE: 1" = 1'-0"
ARCH REF: 14/144-29



A STAFF 2546, 2547 & 2548 - ELEVATION
SCALE: 1" = 1'-0"
ARCH REF: 14/144-29

FINISH SCHEDULE

- PL-1: Please Specify
- PL-2: Please Specify
- PL-3: Please Specify
- PL-4: Please Specify
- PL-5: Please Specify
- SS-1: Please Specify
- SS-2: Please Specify

HARDWARE SCHEDULE

- HW-1: Amerock Wire Pull 4" BP7631228D
- HW-2: Blum T20 Hinge - 71T580
- HW-3: Drawer Slide 20" - KVPB810020
- HW-4: Shelf Pin SMM Spoon - KV0332ANO
- HW-5: Keku Suspension Fitting #262.49.310
- HW-6: A&M Steel Support (24x24)
- HW-7: A&M Steel Support (21x21)
- HW-8: A&M Steel Support (18x18)
- HW-9: 2-1/2" Diameter Black Grammet
- HW-10: Magnetic Pressure Latch #245.80.310
- HW-11: Piano Hinge #351.10.035
- HW-12: Lid Support #365.31.680 & #365.31.681
- HW-13: Timberline Lock #0-240CB
- HW-14: A&M Steel Support (15x15)

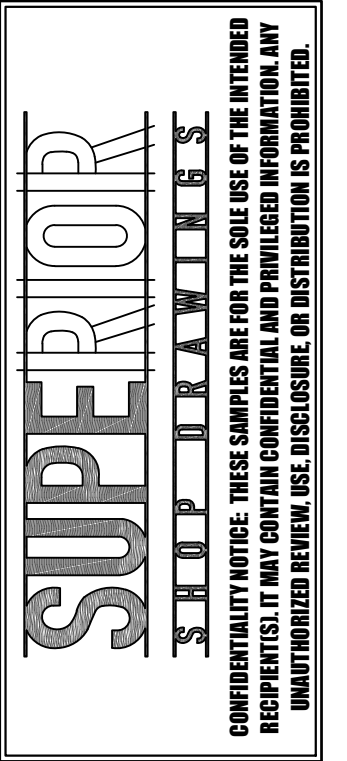
Revisions:

xx/xx/xx	Ready For Shop
----------	----------------

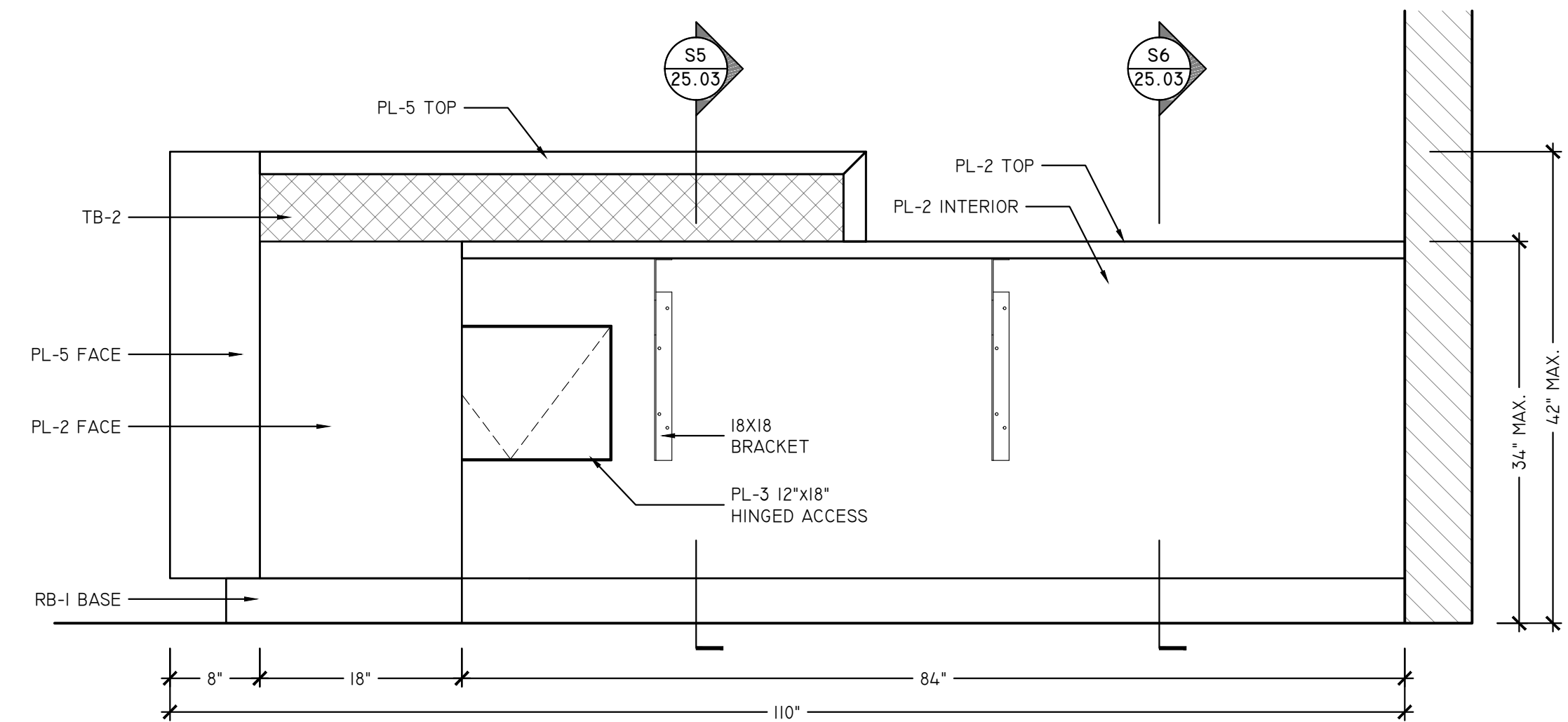
JOB NAME: WARREN MEMORIAL HOSPITAL	
CONTRACTOR: CONTRACTOR NAME	
Job Number: XX-XXX	
Date:	09/09/19
Drawn By:	SSD
Scale:	AS NOTED

Sheet No.
25.01
MILLWORK DRAWINGS

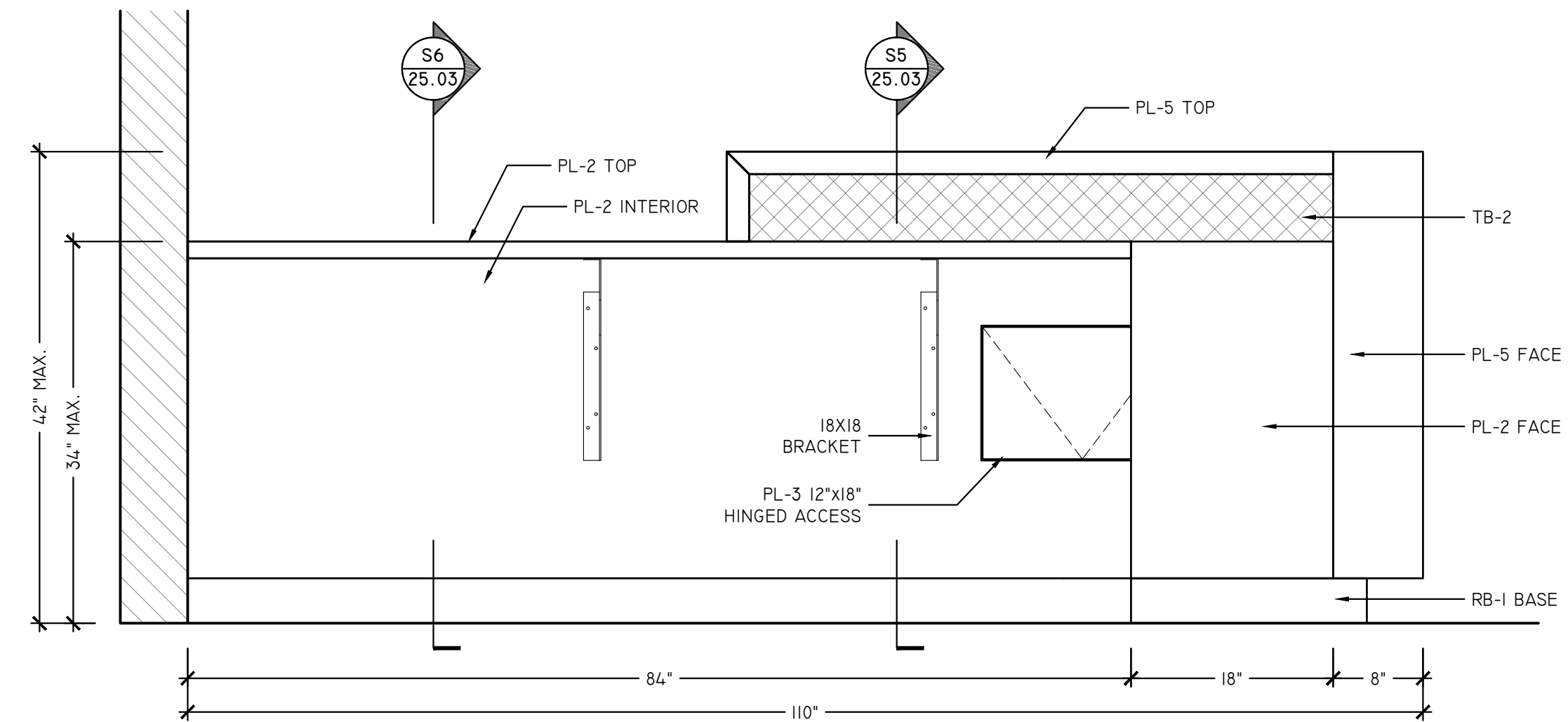
* ALL DIMENSIONS ARE TO BE FIELD VERIFIED



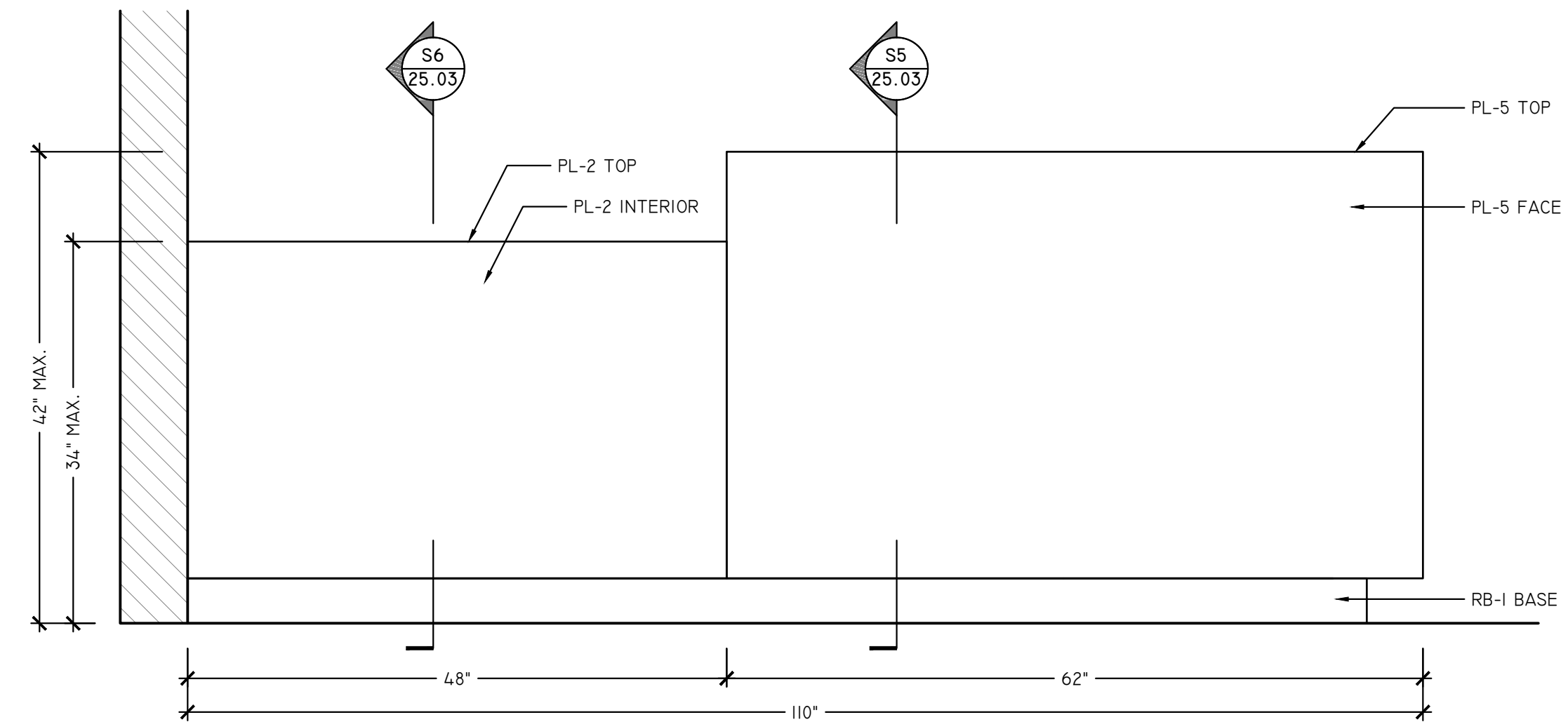
B STAFF 2546, 2547 & 2548 - ELEVATION
SCALE: 1" = 1'-0"
ARCH REF: NONE



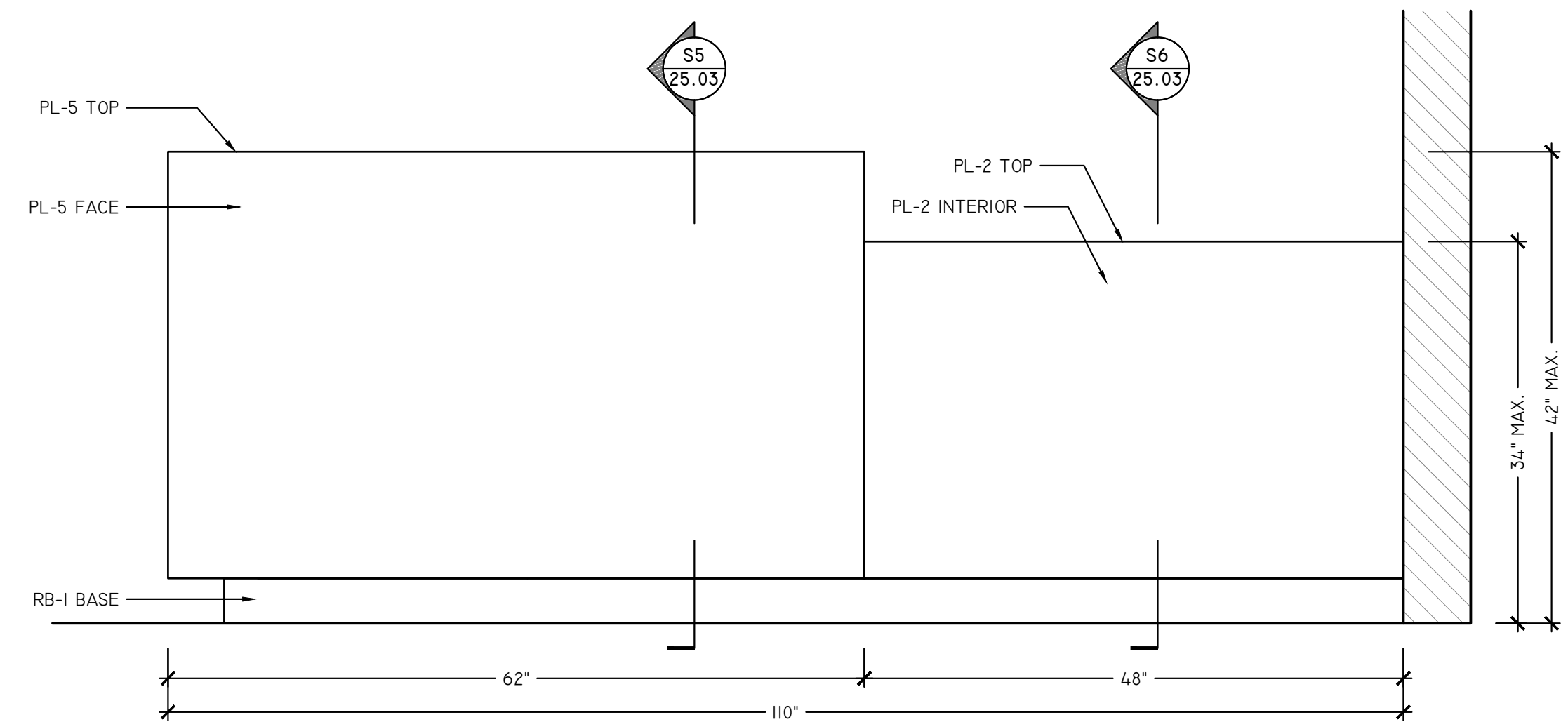
C STAFF 2546, 2547 & 2548 - ELEVATION
SCALE: 1" = 1'-0"
ARCH REF: 9/ALL-29



D STAFF 2546, 2547 & 2548 - ELEVATION
SCALE: 1" = 1'-0"
ARCH REF: 9/ALL-29



E STAFF 2546, 2547 & 2548 - ELEVATION
SCALE: 1" = 1'-0"
ARCH REF: 8/ALL-29



F STAFF 2546, 2547 & 2548 - ELEVATION
SCALE: 1" = 1'-0"
ARCH REF: 8/ALL-29

FINISH SCHEDULE

PL-1:	Please Specify
PL-2:	Please Specify
PL-3:	Please Specify
PL-4:	Please Specify
PL-5:	Please Specify
SS-1:	Please Specify
SS-2:	Please Specify

HARDWARE SCHEDULE

HDW-1:	Amerock Wire Pull 4" BP7631228D
HDW-2:	Blum T20 Hinge - 71T5580
HDW-3:	Drawer Slide 20" - KVPB810020
HDW-4:	Shelf Pin SMM Spoon - KV0332ANO
HDW-5:	Koku Suspension Fitting #262.49.310
HDW-6:	A&M Steel Support (24x24)
HDW-7:	A&M Steel Support (21x21)
HDW-8:	A&M Steel Support (18x18)
HDW-9:	2-1/2" Diameter Black Grammet
HDW-10:	Magnetic Pressure Latch #245.80.310
HDW-11:	Piano Hinge #351.10.035
HDW-12:	Lid Support #365.31.680 & #365.31.681
HDW-13:	Timberline Lock #0-240CB
HDW-14:	A&M Steel Support (15x15)

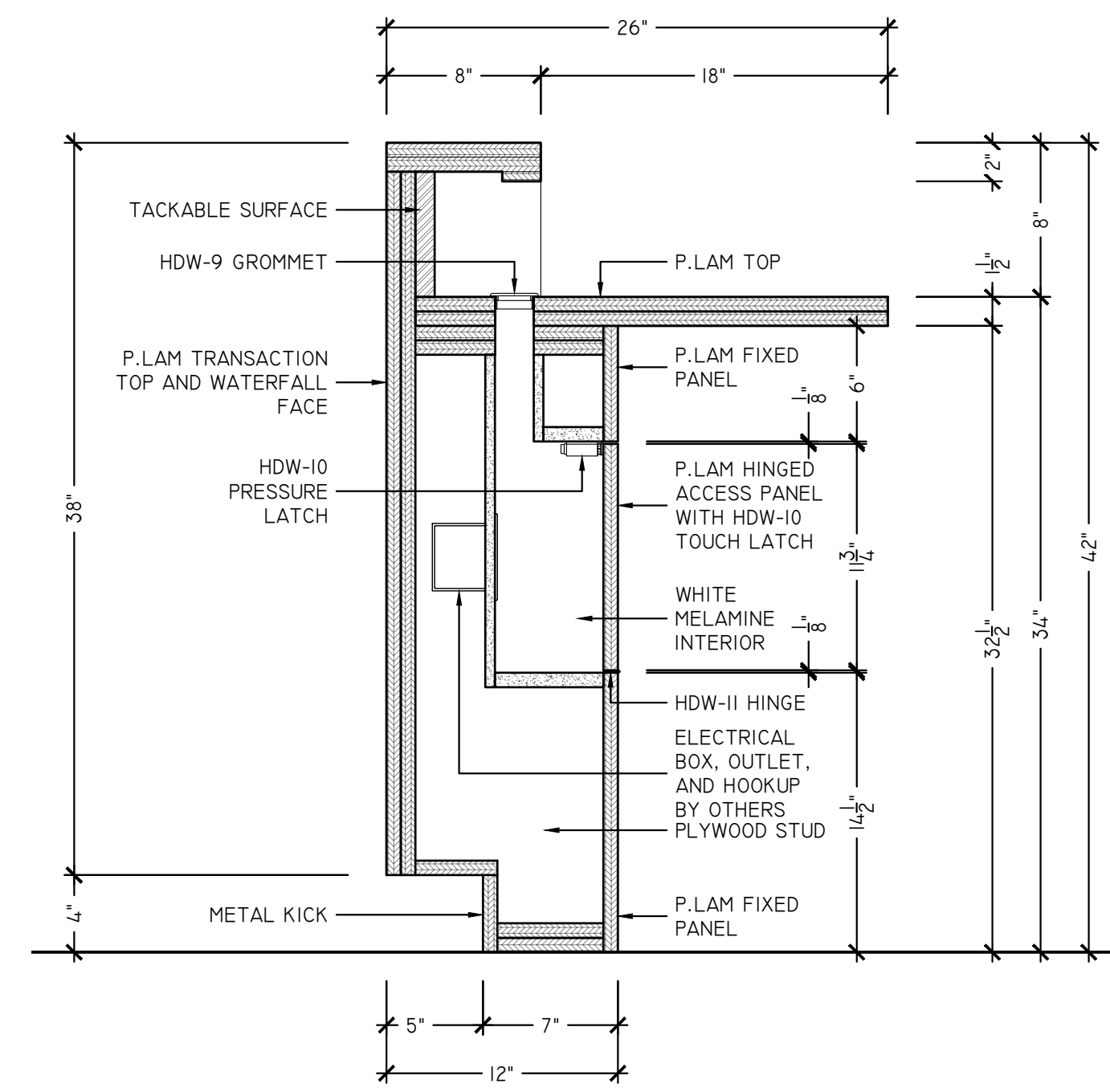
Revisions:

xx/xx/xx	Ready For Shop
----------	----------------

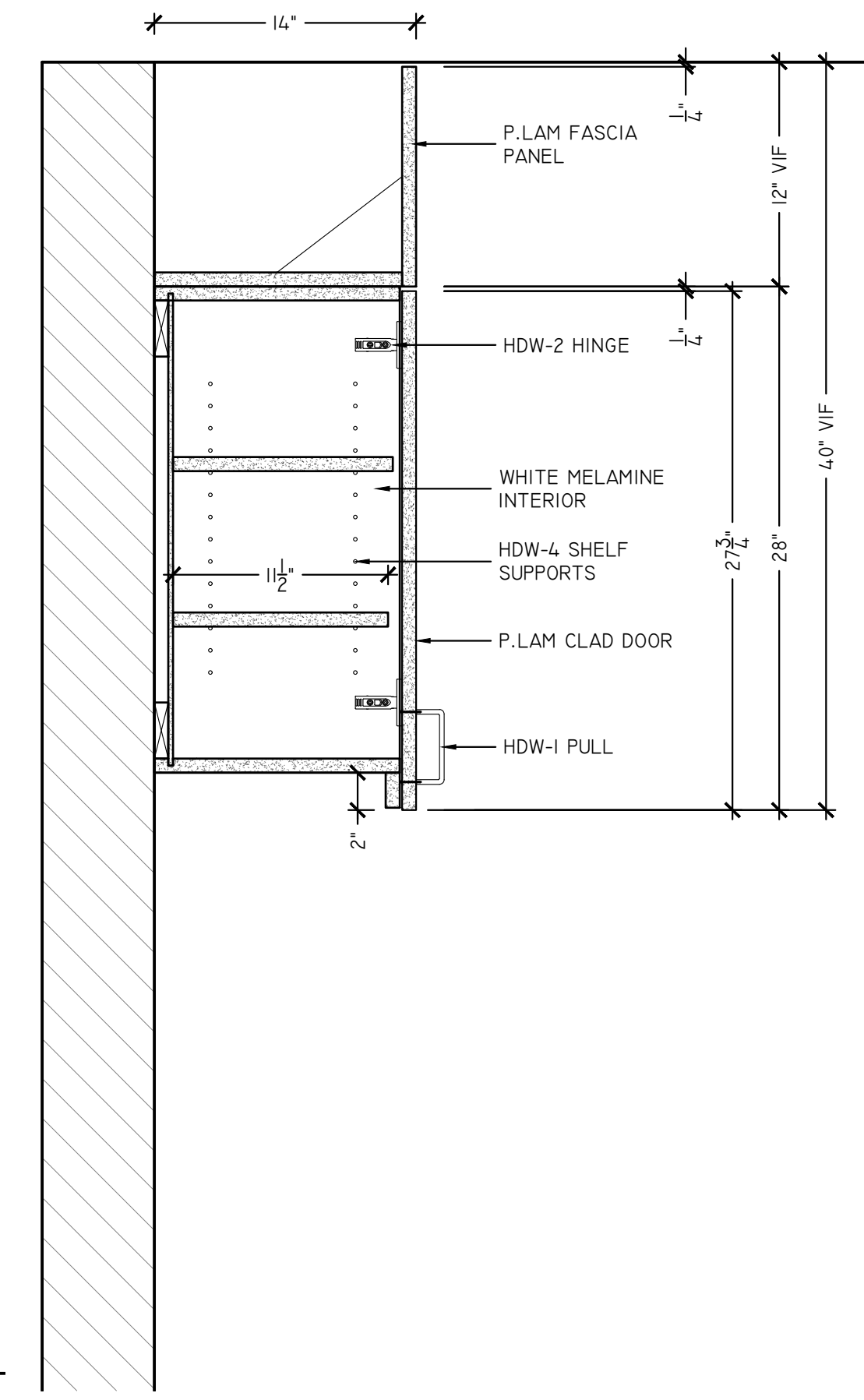
JOB NAME:	WARREN MEMORIAL HOSPITAL
CONTRACTOR:	CONTRACTOR NAME
Job Number:	XX-XXX
Date:	09/09/19
Drawn By:	SSD
Scale:	AS NOTED

Sheet No.
25.02
MILLWORK DRAWINGS

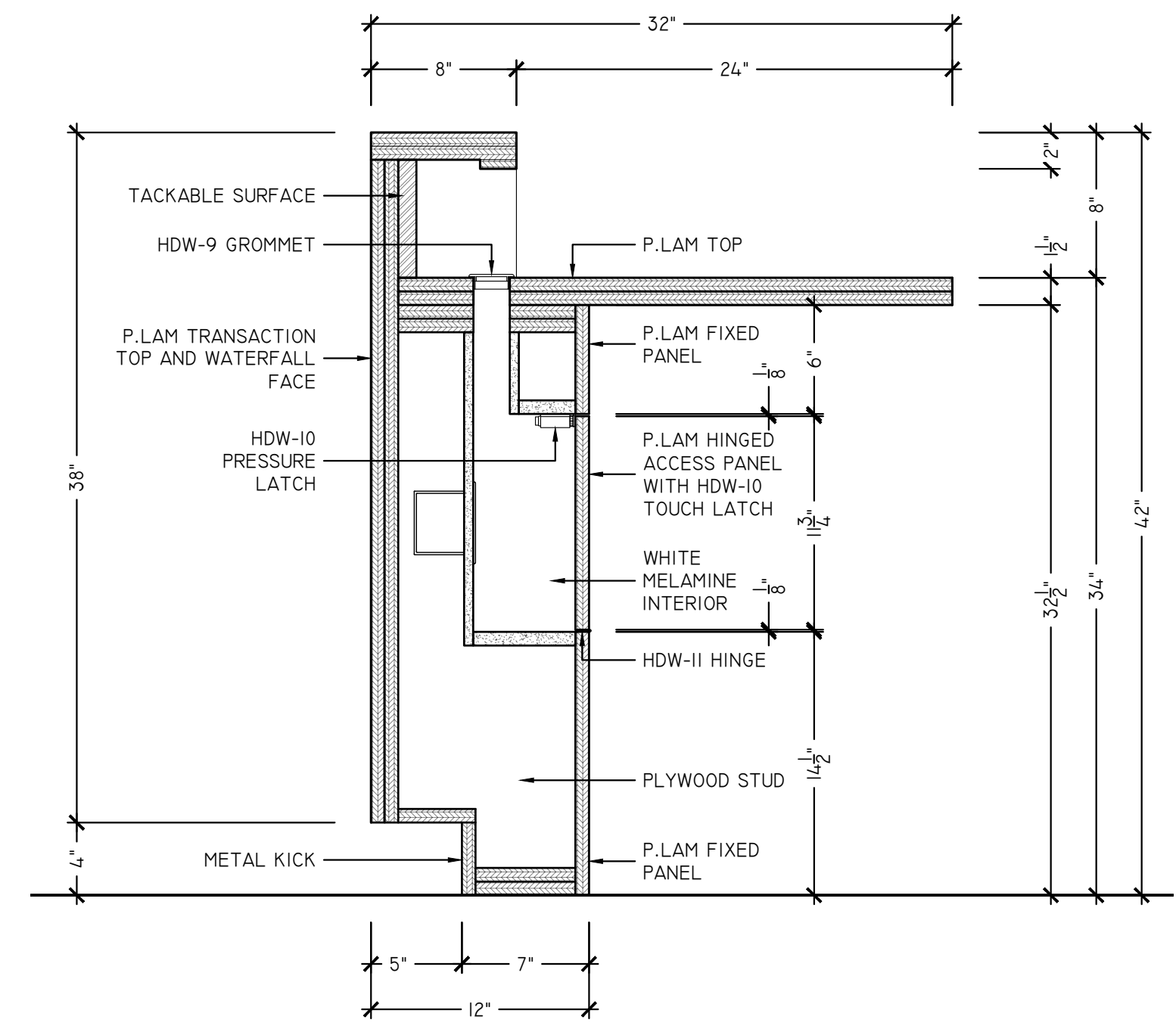
* ALL DIMENSIONS ARE TO BE FIELD VERIFIED



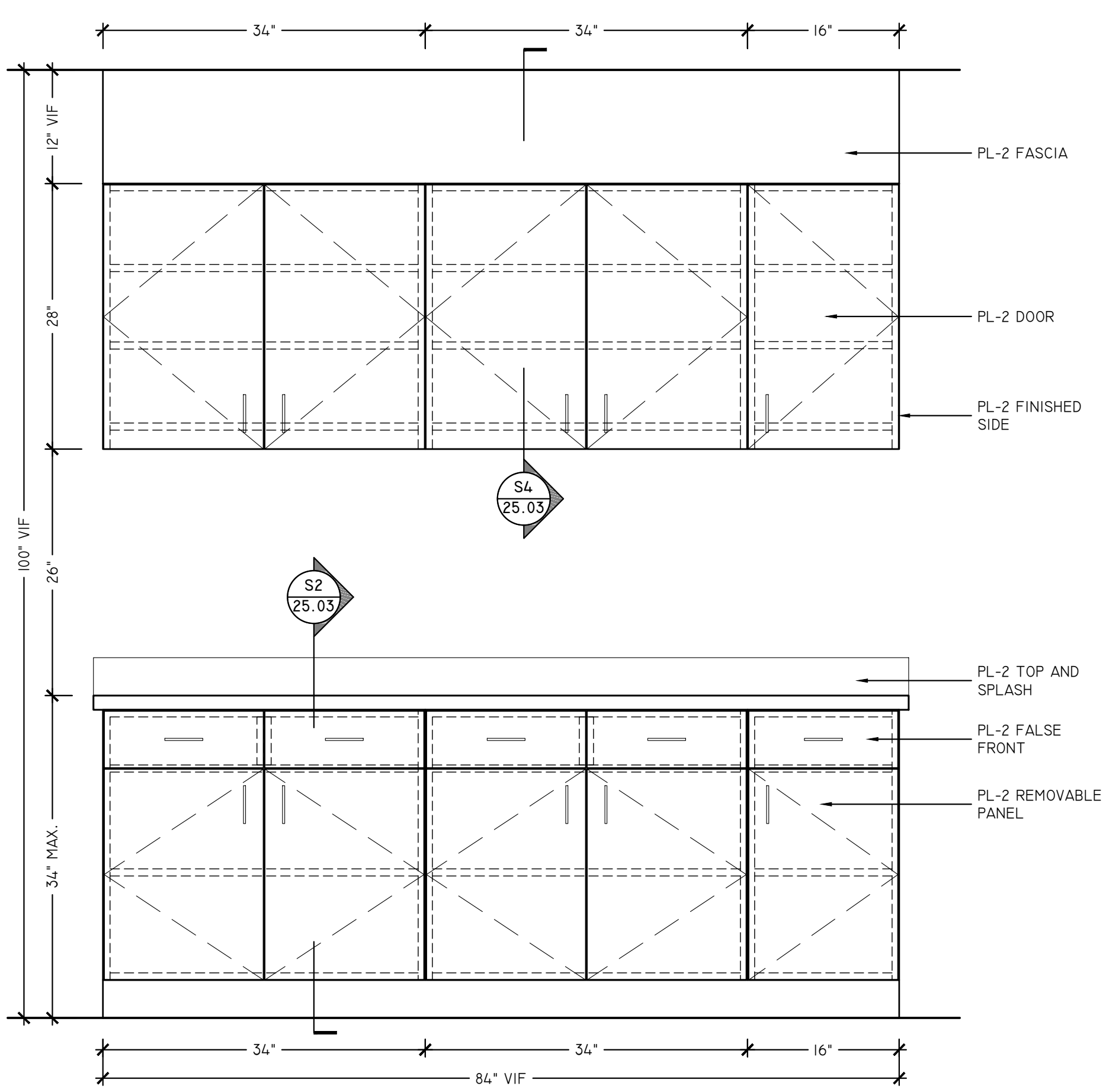
S1 STAFF 2546, 2547 & 2548 - SECTION
SCALE: 1/12" = 1'-0"
ARCH REF: NONE



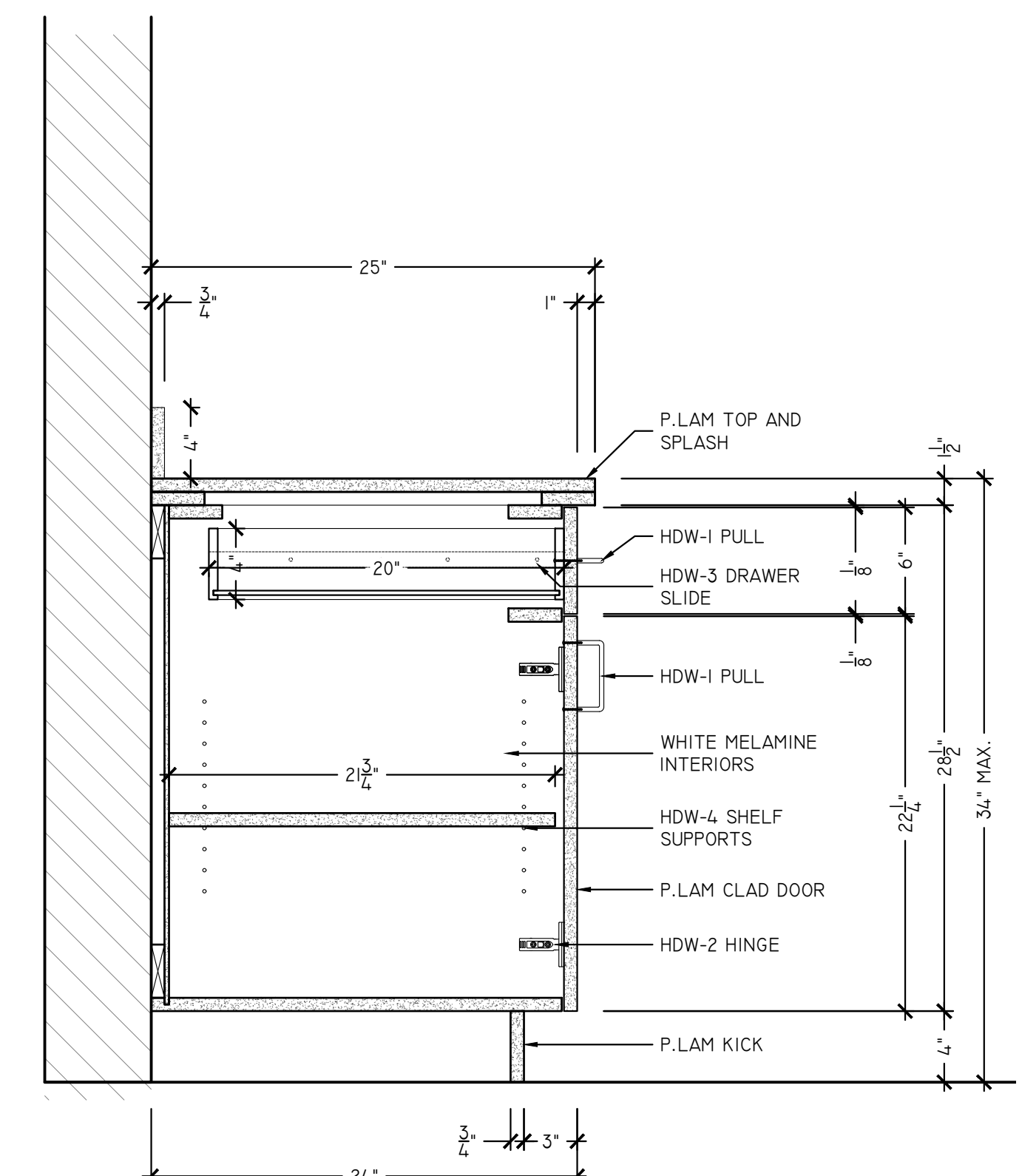
S4 STAFF 2546, 2547 & 2548 - SECTION
SCALE: 1/12" = 1'-0"
ARCH REF: VAA00-01



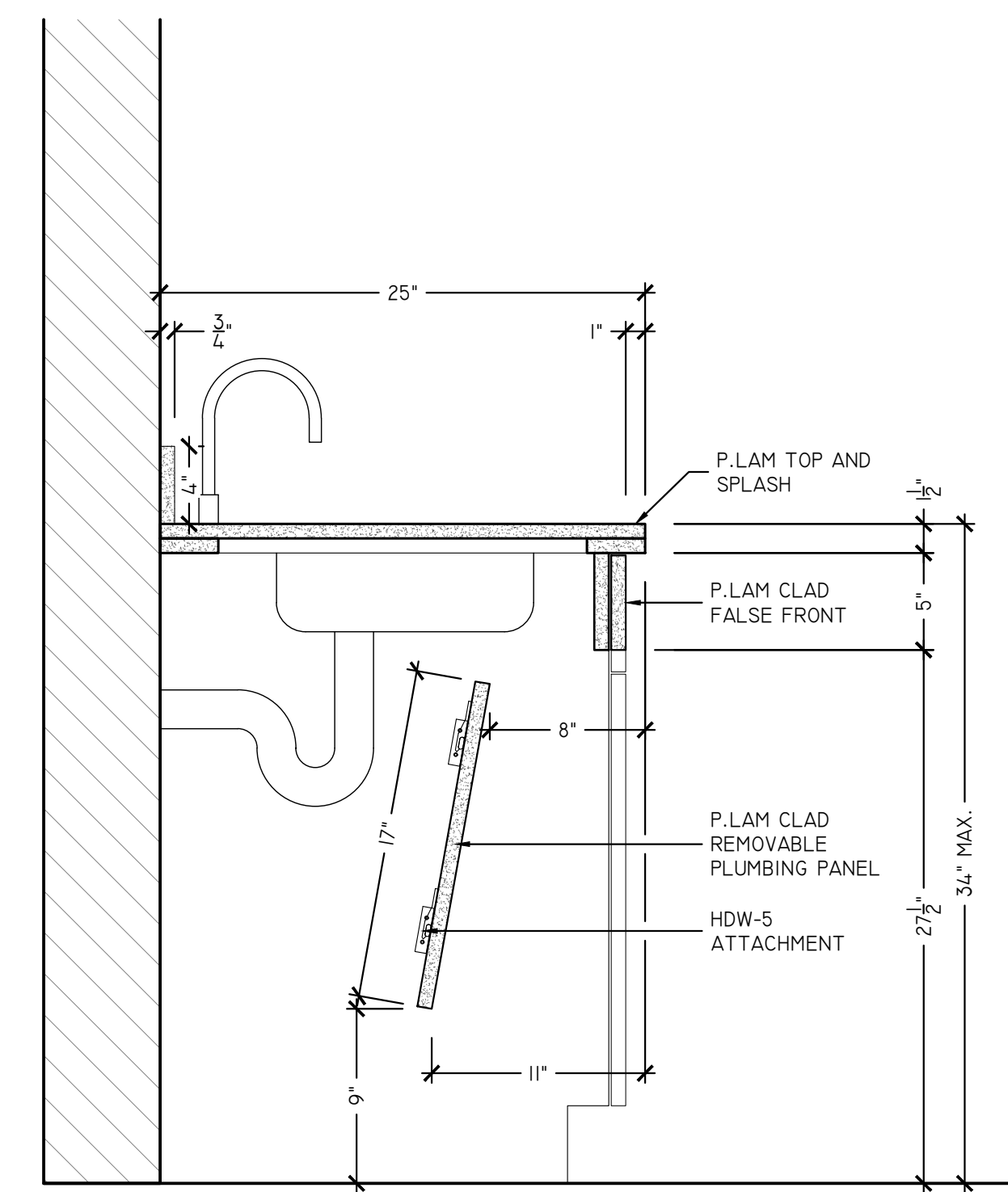
S5 STAFF 2546, 2547 & 2548 - SECTION
SCALE: 1/12" = 1'-0"
ARCH REF: VAA00-03



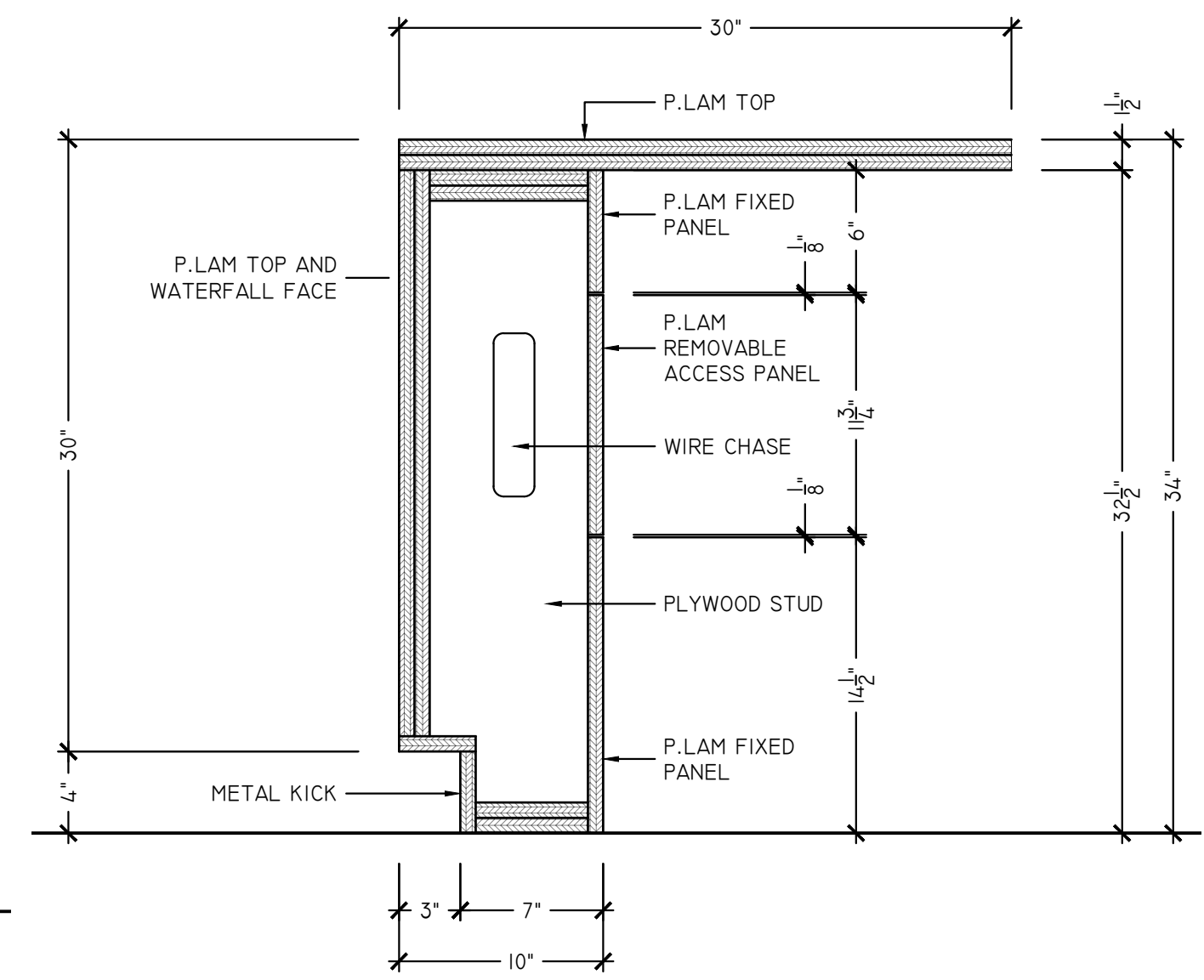
6 STAFF 2546, 2547 & 2548 - ELEVATION
SCALE: 1" = 1'-0"
ARCH REF: VAA00-29



S2 STAFF 2546, 2547 & 2548 - SECTION
SCALE: 1/12" = 1'-0"
ARCH REF: S/A00-01



S3 STAFF 2546, 2547 & 2548 - SECTION
SCALE: 1/12" = 1'-0"
ARCH REF: VAA00-01



S6 STAFF 2546, 2547 & 2548 - SECTION
SCALE: 1/12" = 1'-0"
ARCH REF: S/A00-03

FINISH SCHEDULE

PL-1:	Please Specify
PL-2:	Please Specify
PL-3:	Please Specify
PL-4:	Please Specify
PL-5:	Please Specify
SS-1:	Please Specify
SS-2:	Please Specify

HARDWARE SCHEDULE

HDW-1:	Amerock Wire Pull 4" BP76312260
HDW-2:	Blum T20 Hinge - 71T5580
HDW-3:	Drawer Slide 20" - KVPB810020
HDW-4:	Shelf Pin SMM Spoon - KV0332ANO
HDW-5:	Keku Suspension Fitting #262.49.310
HDW-6:	A&M Steel Support (24x24)
HDW-7:	A&M Steel Support (21x21)
HDW-8:	A&M Steel Support (18x18)
HDW-9:	2-1/2" Diameter Black Grommet
HDW-10:	Magnetic Pressure Latch #245.80.310
HDW-11:	Piano Hinge #351.10.035
HDW-12:	Lib Support #365.31.680 & #365.31.681
HDW-13:	Timberline Lock #0-240CB
HDW-14:	A&M Steel Support (15x15)

Revisions:

xx/xx/xx	Ready For Shop
----------	----------------

JOB NAME:	WARREN MEMORIAL HOSPITAL
CONTRACTOR:	CONTRACTOR NAME
Job Number:	XX-XXX
Date:	09/09/19
Drawn By:	SSD
Scale:	AS NOTED

* ALL DIMENSIONS ARE TO BE FIELD VERIFIED