

I FRONT DESK PODS - PLAN
 SCALE: 3/4" = 1'-0"
 ARCH REF: I/ID505

A FRONT DESK PODS - ELEVATION
 SCALE: 3/4" = 1'-0"
 ARCH REF: A/ID505

SUPERIOR
 SHOP DRAWINGS

CONFIDENTIALITY NOTICE: THESE SAMPLES ARE FOR THE SOLE USE OF THE INTENDED RECIPIENT(S). IT MAY CONTAIN CONFIDENTIAL AND PRIVILEGED INFORMATION. ANY UNAUTHORIZED REVIEW, USE, DISCLOSURE, OR DISTRIBUTION IS PROHIBITED.

Assembly / Part Name:
 Project Name:

Sheet No.: **1.01**

Phase:
 Drafted By: SSD
 Created: 08-19-2019
 Revisions: 11-15-2019

FINISH SCHEDULE	
PL-1	NEVAMAR URBAN LIFE AG1900-T
PL-2	WALNUT HEIGHTS 7965
PL-3	WILSONART ALUMA STEEL 6277
PL-4	WILSONART BRUSHED BLACK ALUMINUM 6296
MEL-1	BLACK MELAMINE
MTL-1	RUCHELIEU STICKMAN PROFILE 25MC3510
MTL-2	4" METAL END CAPS
MTL-3	METAL HOOP LEG - BLACK POWDER COAT
ST-1	MSI CARRARA WHITE QUARTZ 2CM
WD-1	WOOD STAINED TO MATCH WILSONART WALNUT HEIGHTS
WD-2	NATURAL WOOD PLANKS STAINED TO MATCH WILSONART WALNUT HEIGHTS

4

3

2

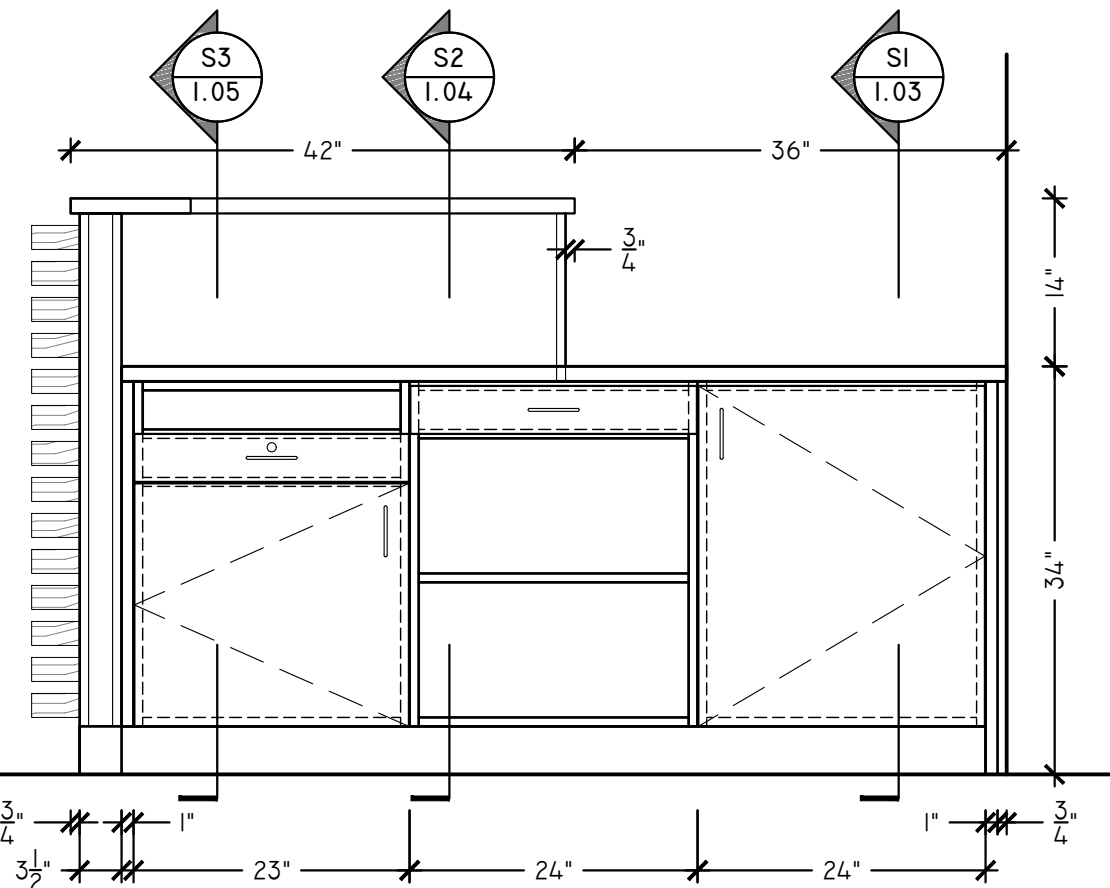
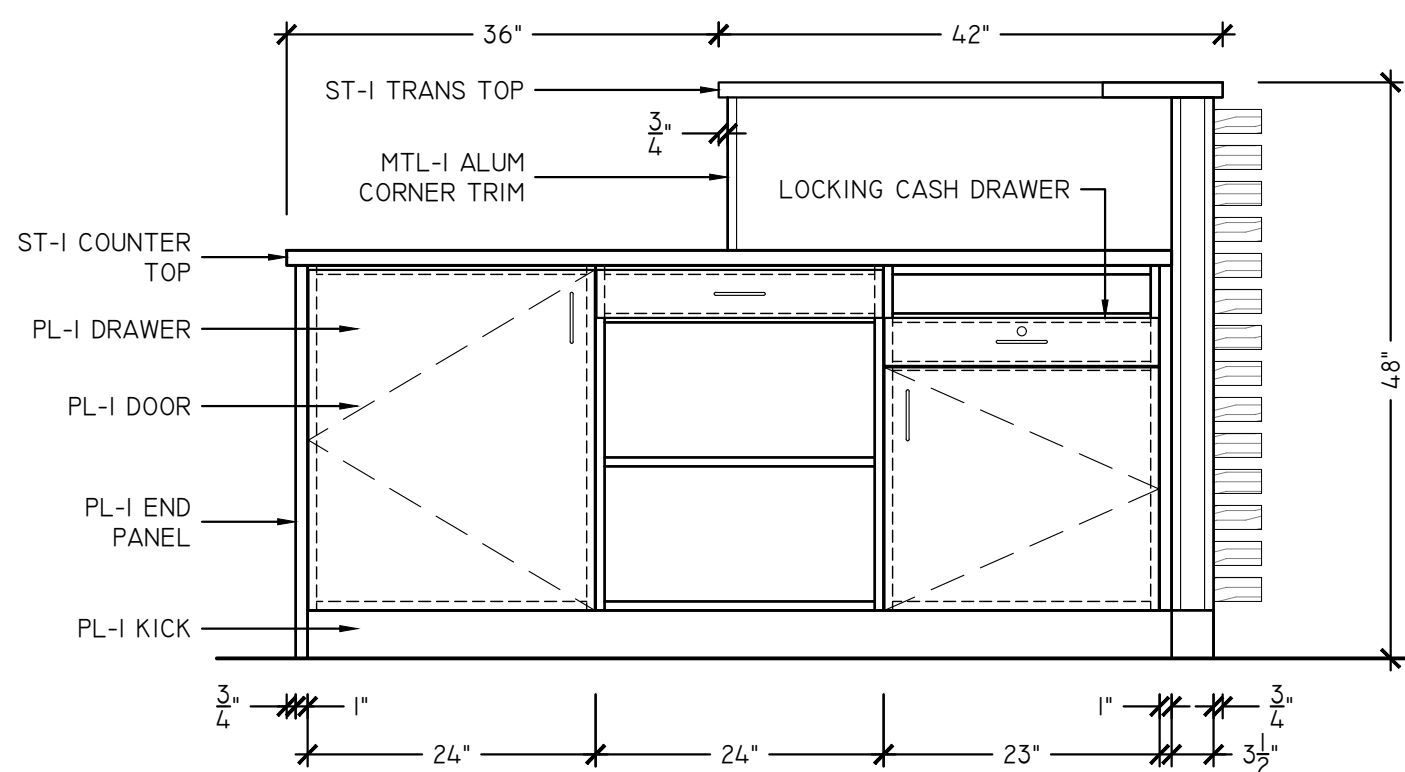
1

B

B

A

A



SUPERIOR
SHOP DRAWINGS

CONFIDENTIALITY NOTICE: THESE SAMPLES ARE FOR THE SOLE USE OF THE INTENDED RECIPIENT(S). IT MAY CONTAIN CONFIDENTIAL AND PRIVILEGED INFORMATION. ANY UNAUTHORIZED REVIEW, USE, DISCLOSURE, OR DISTRIBUTION IS PROHIBITED.

Assembly / Part Name:
Project Name:

Sheet No.: **1.02**

Phase:
Drafted By: SSD
Created: 08-19-2019
Revisions: 11-15-2019

FINISH SCHEDULE	
PL-1	NEVAMAR URBAN LIFE AG1900-T
PL-2	WALNUT HEIGHTS 7965
PL-3	WILSONART ALUMA STEEL 6277
PL-4	WILSONART BRUSHED BLACK ALUMINUM 6296
MEL-1	BLACK MELAMINE
MTL-1	RUCHELIEU STICKMAN PROFILE 25MC3510
MTL-2	4" METAL END CAPS
MTL-3	METAL HOOP LEG - BLACK POWDER COAT
ST-1	MSI CARRARA WHITE QUARTZ 2CM
WD-1	WOOD STAINED TO MATCH WILSONART WALNUT HEIGHTS
WD-2	NATURAL WOOD PLANKS STAINED TO MATCH WILSONART WALNUT HEIGHTS

B FRONT DESK PODS - ELEVATION
SCALE: 3/4" = 1'-0"
ARCH REF: C/ID505

4

3

2

1

4

3

2

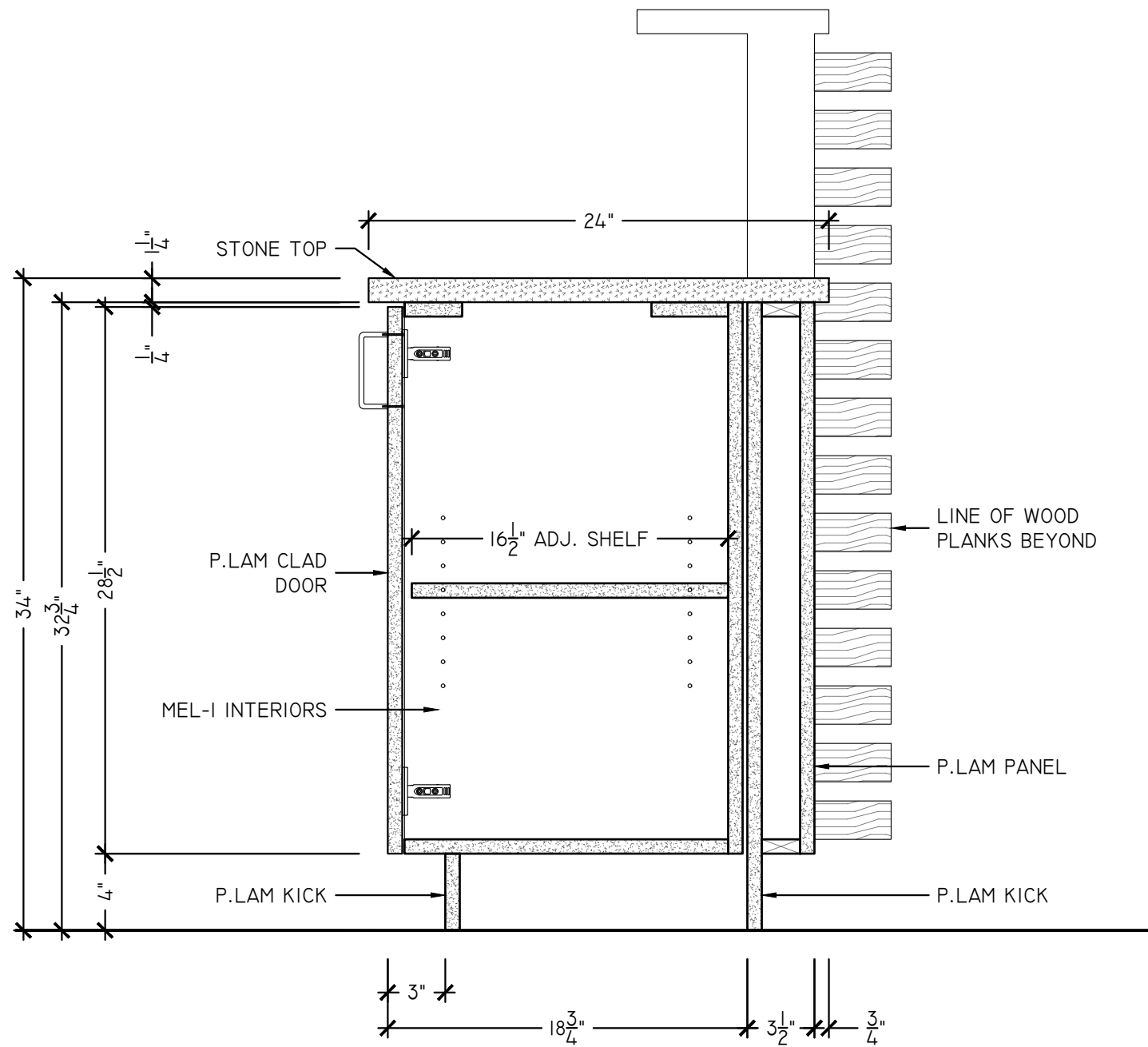
1

B

B

A

A



SI FRONT DESK PODS - SECTION
 SCALE: 1-1/2" = 1'-0"
 ARCH REF: N/A

SUPERIOR
 SHOP DRAWINGS

CONFIDENTIALITY NOTICE: THESE SAMPLES ARE FOR THE SOLE USE OF THE INTENDED RECIPIENT(S). IT MAY CONTAIN CONFIDENTIAL AND PRIVILEGED INFORMATION. ANY UNAUTHORIZED REVIEW, USE, DISCLOSURE, OR DISTRIBUTION IS PROHIBITED.

Assembly / Part Name:
 Project Name:

Sheet No.: **1.03**

Phase:
 Drafted By: SSD
 Created: 08-19-2019
 Revisions: 11-15-2019

FINISH SCHEDULE	
PL-1	NEVAMAR URBAN LIFE AG1900-T
PL-2	WALNUT HEIGHTS 7965
PL-3	WILSONART ALUMA STEEL 6277
PL-4	WILSONART BRUSHED BLACK ALUMINUM 6296
MEL-1	BLACK MELAMINE
MTL-1	RUCHELIEU STICKMAN PROFILE 25MC3510
MTL-2	4" METAL END CAPS
MTL-3	METAL HOOP LEG - BLACK POWDER COAT
ST-1	MSI CARRARA WHITE QUARTZ 2CM
WD-1	WOOD STAINED TO MATCH WILSONART WALNUT HEIGHTS
WD-2	NATURAL WOOD PLANKS STAINED TO MATCH WILSONART WALNUT HEIGHTS

4

3

2

1

4

3

2

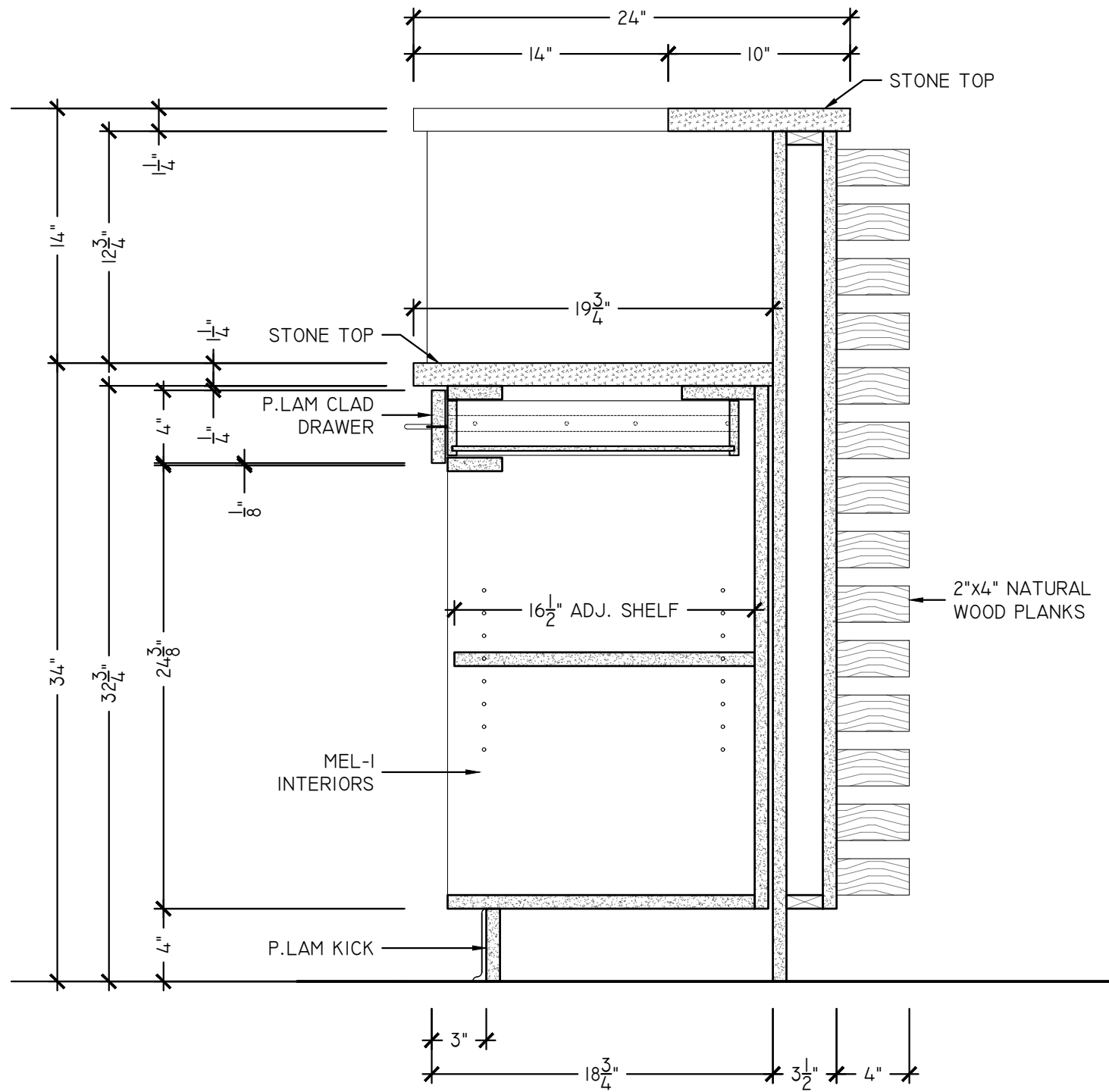
1

B

B

A

A



SUPERIOR
SHOP DRAWINGS

CONFIDENTIALITY NOTICE: THESE SAMPLES ARE FOR THE SOLE USE OF THE INTENDED RECIPIENT(S). IT MAY CONTAIN CONFIDENTIAL AND PRIVILEGED INFORMATION. ANY UNAUTHORIZED REVIEW, USE, DISCLOSURE, OR DISTRIBUTION IS PROHIBITED.

Assembly / Part Name:
Project Name:

Sheet No.: **1.04**

Phase:
Drafted By: SSD
Created: 08-19-2019
Revisions: 11-15-2019

FINISH SCHEDULE	
PL-1	NEVAMAR URBAN LIFE AG1900-T
PL-2	WALNUT HEIGHTS 7965
PL-3	WILSONART ALUMA STEEL 6277
PL-4	WILSONART BRUSHED BLACK ALUMINUM 6296
MEL-1	BLACK MELAMINE
MTL-1	RUCHELIEU STICKMAN PROFILE 25MC3510
MTL-2	4" METAL END CAPS
MTL-3	METAL HOOP LEG - BLACK POWDER COAT
ST-1	MSI CARRARA WHITE QUARTZ 2CM
WD-1	WOOD STAINED TO MATCH WILSONART WALNUT HEIGHTS
WD-2	NATURAL WOOD PLANKS STAINED TO MATCH WILSONART WALNUT HEIGHTS

S2 FRONT DESK PODS - SECTION
SCALE: 1-1/2" = 1'-0"
ARCH REF: 1A/ID505

4

3

2

1

4

3

2

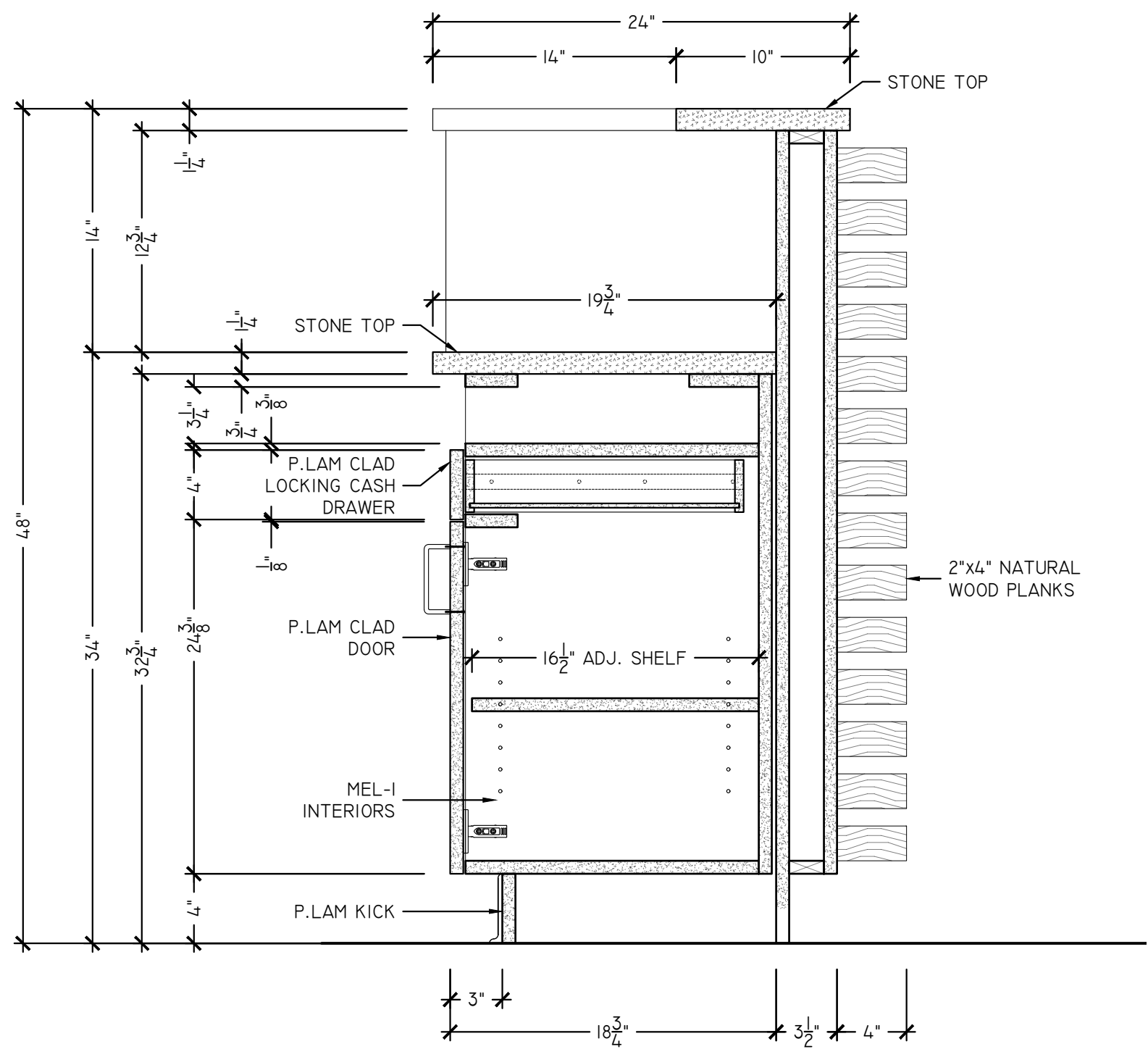
1

B

B

A

A



S3 FRONT DESK PODS - SECTION
 SCALE: 1-1/2" = 1'-0"
 ARCH REF: N/A

SUPERIOR
 SHOP DRAWINGS

CONFIDENTIALITY NOTICE: THESE SAMPLES ARE FOR THE SOLE USE OF THE INTENDED RECIPIENT(S). IT MAY CONTAIN CONFIDENTIAL AND PRIVILEGED INFORMATION. ANY UNAUTHORIZED REVIEW, USE, DISCLOSURE, OR DISTRIBUTION IS PROHIBITED.

Assembly / Part Name:
 Project Name:

Sheet No.: **1.05**

Phase:
 Drafted By: SSD
 Created: 08-19-2019
 Revisions: 11-15-2019

FINISH SCHEDULE	
PL-1	NEVAMAR URBAN LIFE AG1900-T
PL-2	WALNUT HEIGHTS 7965
PL-3	WILSONART ALUMA STEEL 6277
PL-4	WILSONART BRUSHED BLACK ALUMINUM 6296
MEL-1	BLACK MELAMINE
MTL-1	RUCHELIEU STICKMAN PROFILE 25MC3510
MTL-2	4" METAL END CAPS
MTL-3	METAL HOOP LEG - BLACK POWDER COAT
ST-1	MSI CARRARA WHITE QUARTZ 2CM
WD-1	WOOD STAINED TO MATCH WILSONART WALNUT HEIGHTS
WD-2	NATURAL WOOD PLANKS STAINED TO MATCH WILSONART WALNUT HEIGHTS

4

3

2

1