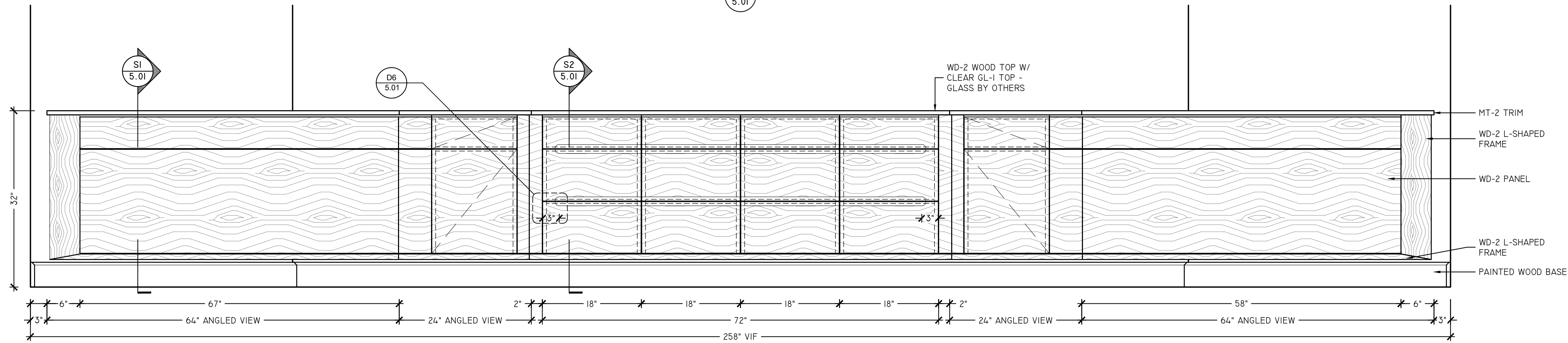
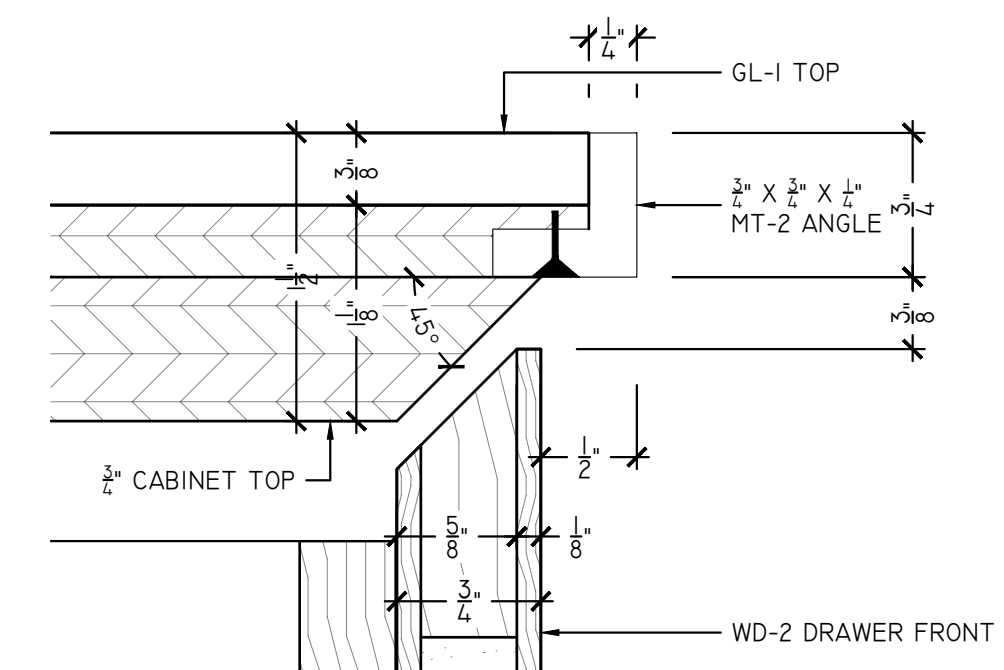


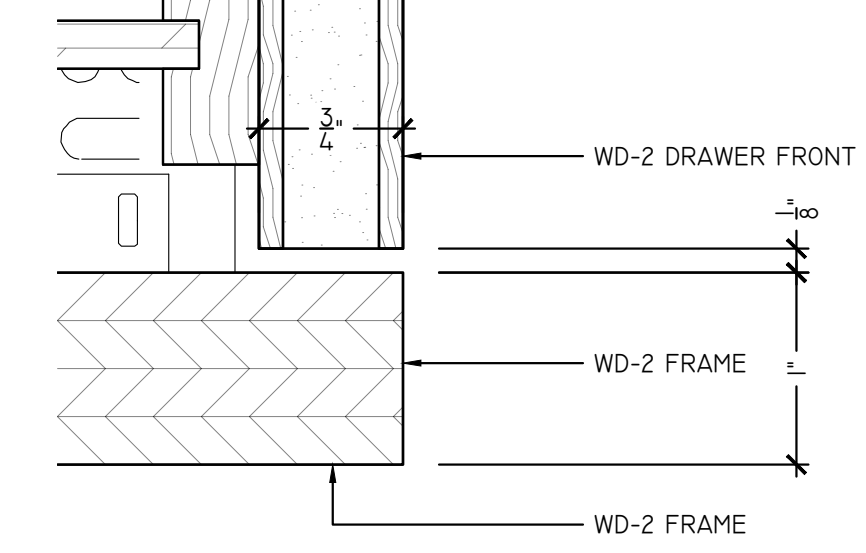
I DINING ROOM CRENZNA - PLAN
SCALE: 1" = 1'-0"
ARCH REF: 1/25K-8



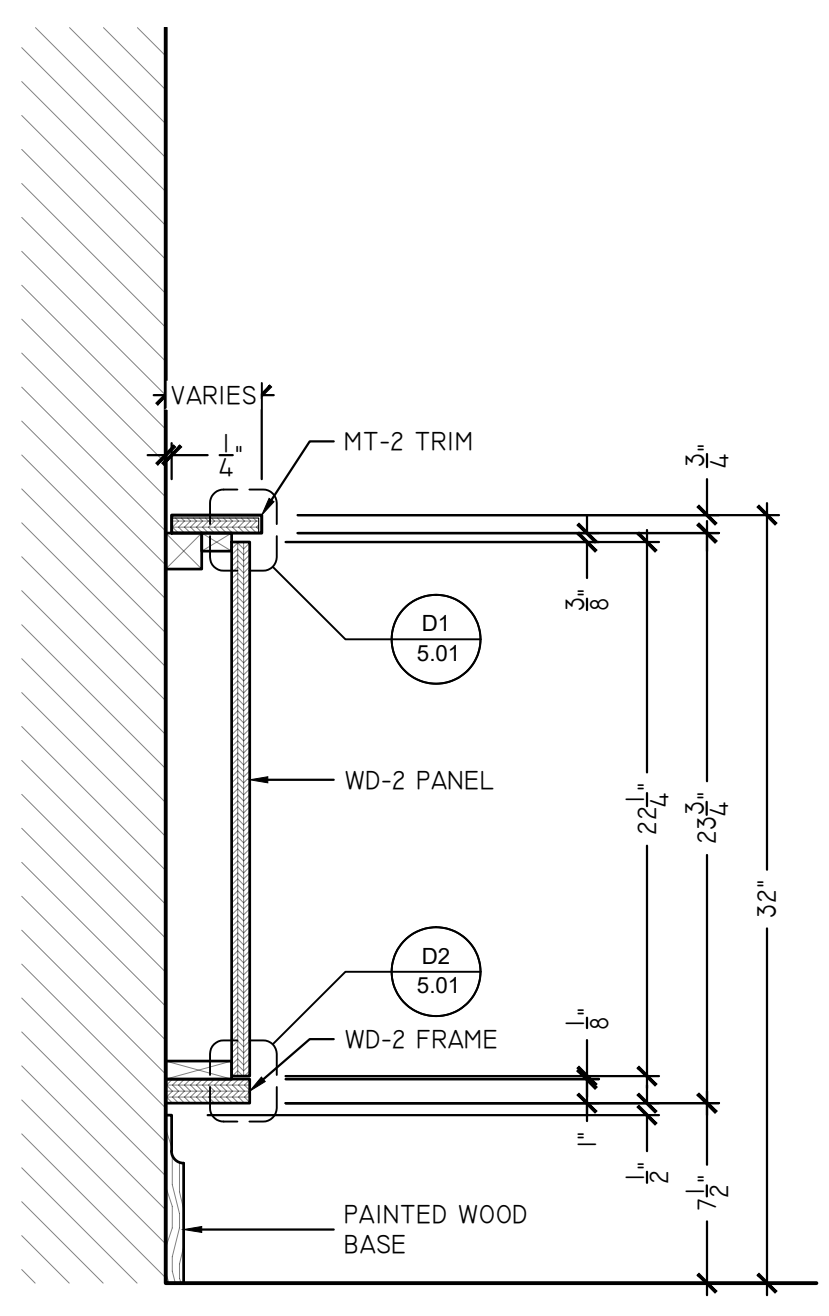
A DINING ROOM CRENZNA - ELEVATION
SCALE: 1" = 1'-0"
ARCH REF: 2/25K-4



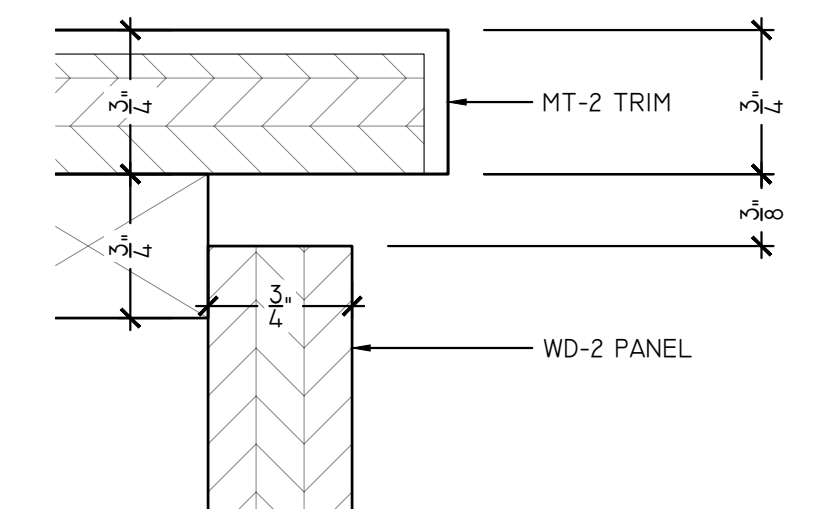
D3 DINING ROOM CRENZNA - DETAIL
SCALE: 1'-0" = 1'-0"
ARCH REF: 2/25K-9



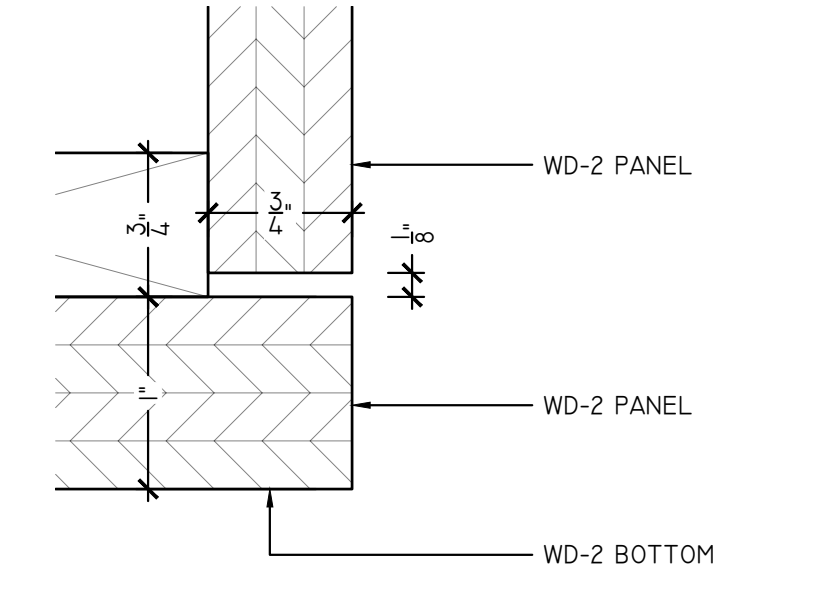
D4 DINING ROOM CRENZNA - DETAIL
SCALE: 1'-0" = 1'-0"
ARCH REF: 2/25K-9



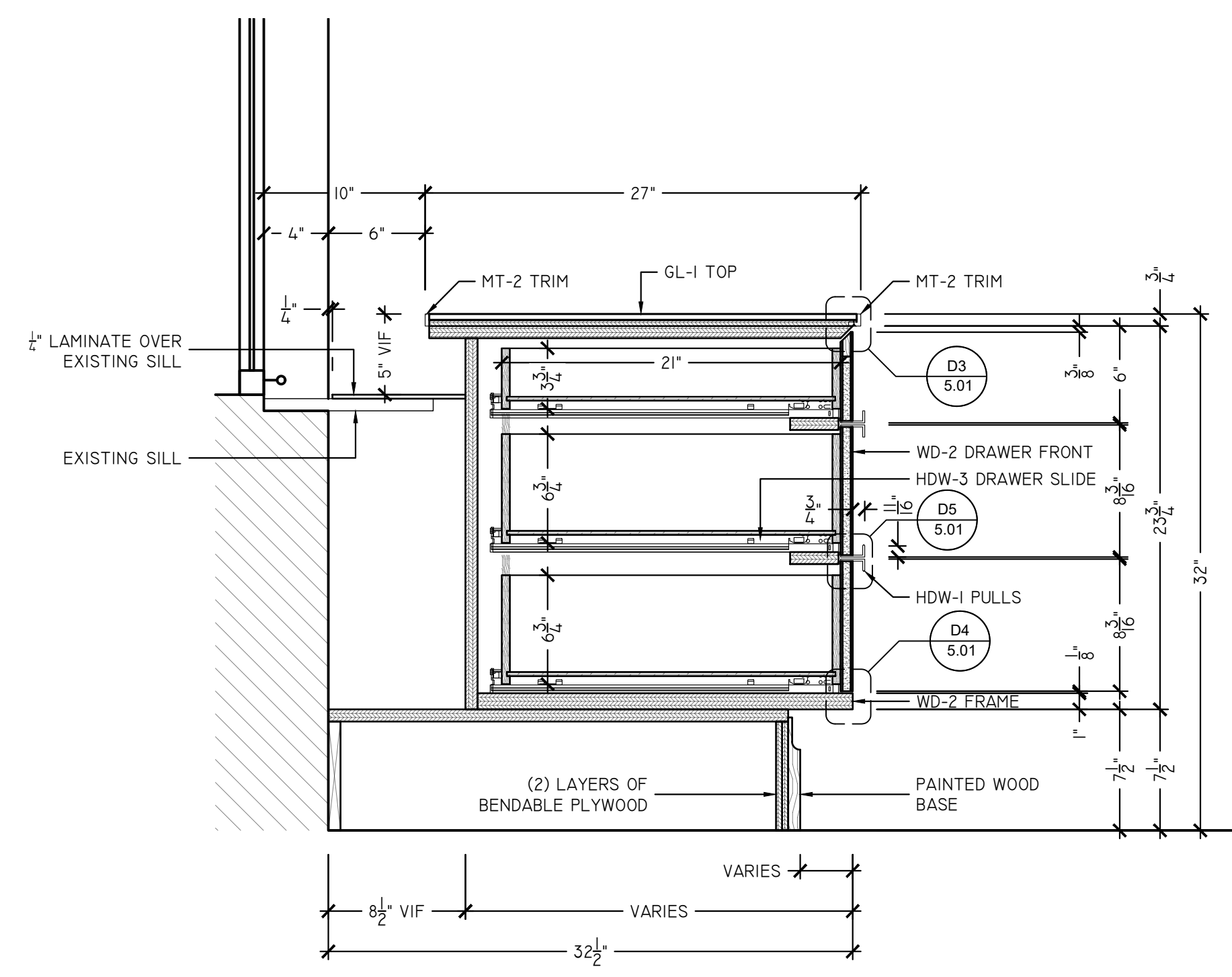
SI DINING ROOM CRENZNA - SECTION
SCALE: 1 1/2" = 1'-0"
ARCH REF: 3/25K-8



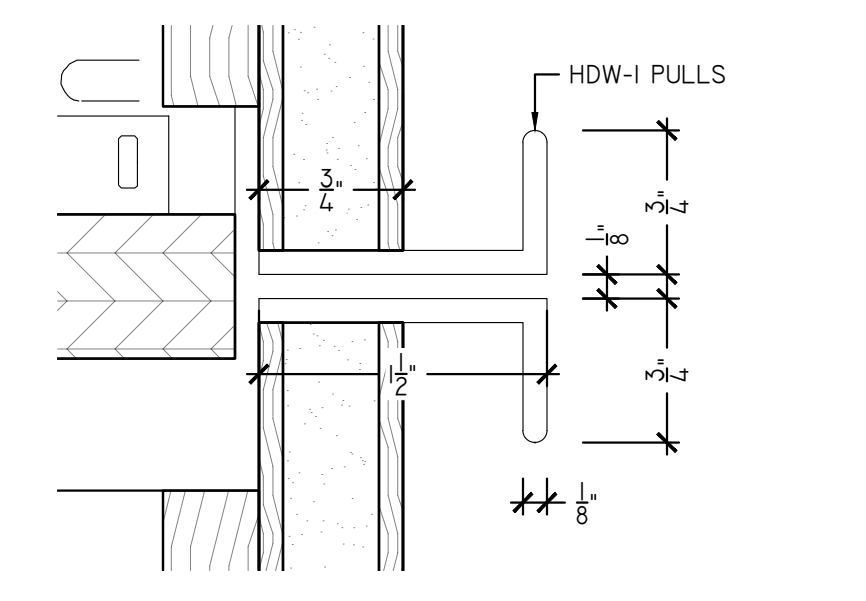
D1 DINING ROOM CRENZNA - DETAIL
SCALE: 1'-0" = 1'-0"
ARCH REF: 4/25K-8



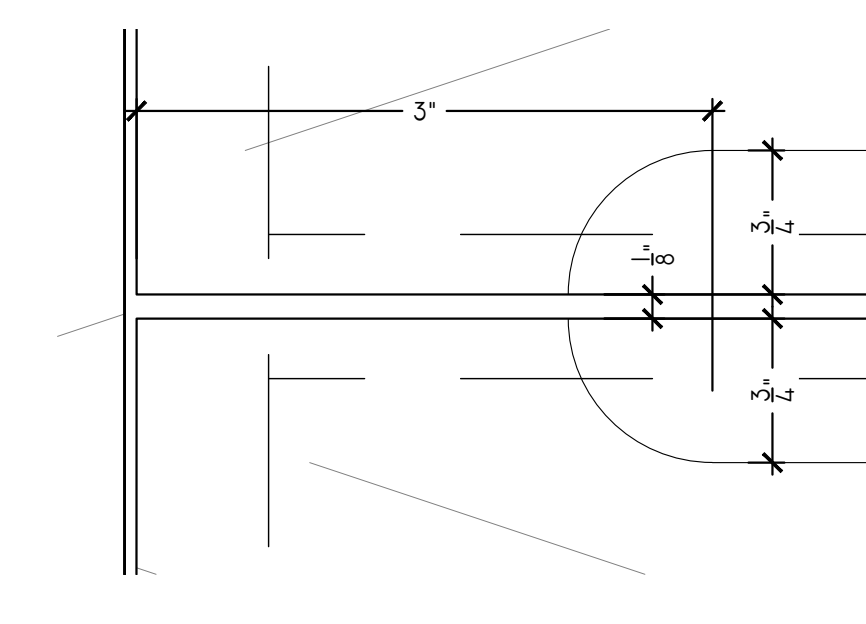
D2 DINING ROOM CRENZNA - DETAIL
SCALE: 1'-0" = 1'-0"
ARCH REF: 4/25K-8



S2 DINING ROOM CRENZNA - SECTION
SCALE: 1 1/2" = 1'-0"
ARCH REF: 1/25K-9



D5 DINING ROOM CRENZNA - DETAIL
SCALE: 1'-0" = 1'-0"
ARCH REF: N/A

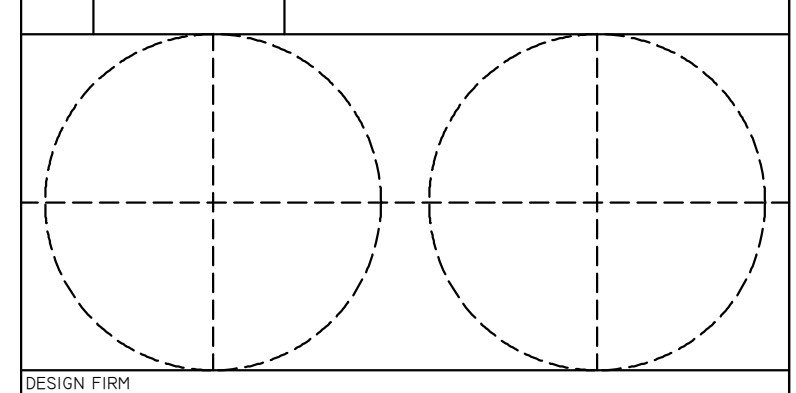


D6 DINING ROOM CRENZNA - DETAIL
SCALE: 1'-0" = 1'-0"
ARCH REF: N/A

SUPERIOR
SHOP DRAWINGS

CONFIDENTIALITY NOTICE: THESE SAMPLES ARE FOR THE SOLE USE OF THE INTENDED RECIPIENT(S). IT MAY CONTAIN CONFIDENTIAL AND PRIVILEGED INFORMATION. ANY UNAUTHORIZED REVIEW, USE, DISCLOSURE, OR DISTRIBUTION IS PROHIBITED.

NO.	DATE	ISSUE NOTES
1	11/12/19	REVISIONS PER MARKUPS
2	11/14/19	REVISIONS PER MARKUPS
3	12/02/19	REVISIONS PER MARKUPS



DESIGN FIRM

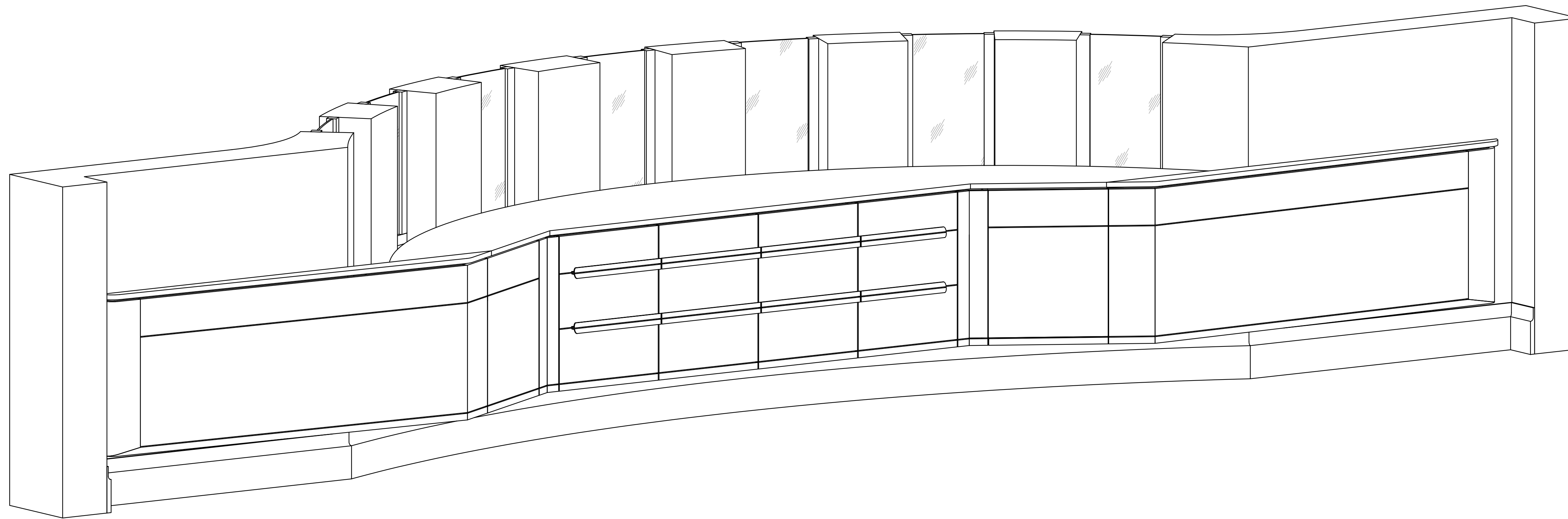
CONSULTANT

PROJECT TITLE

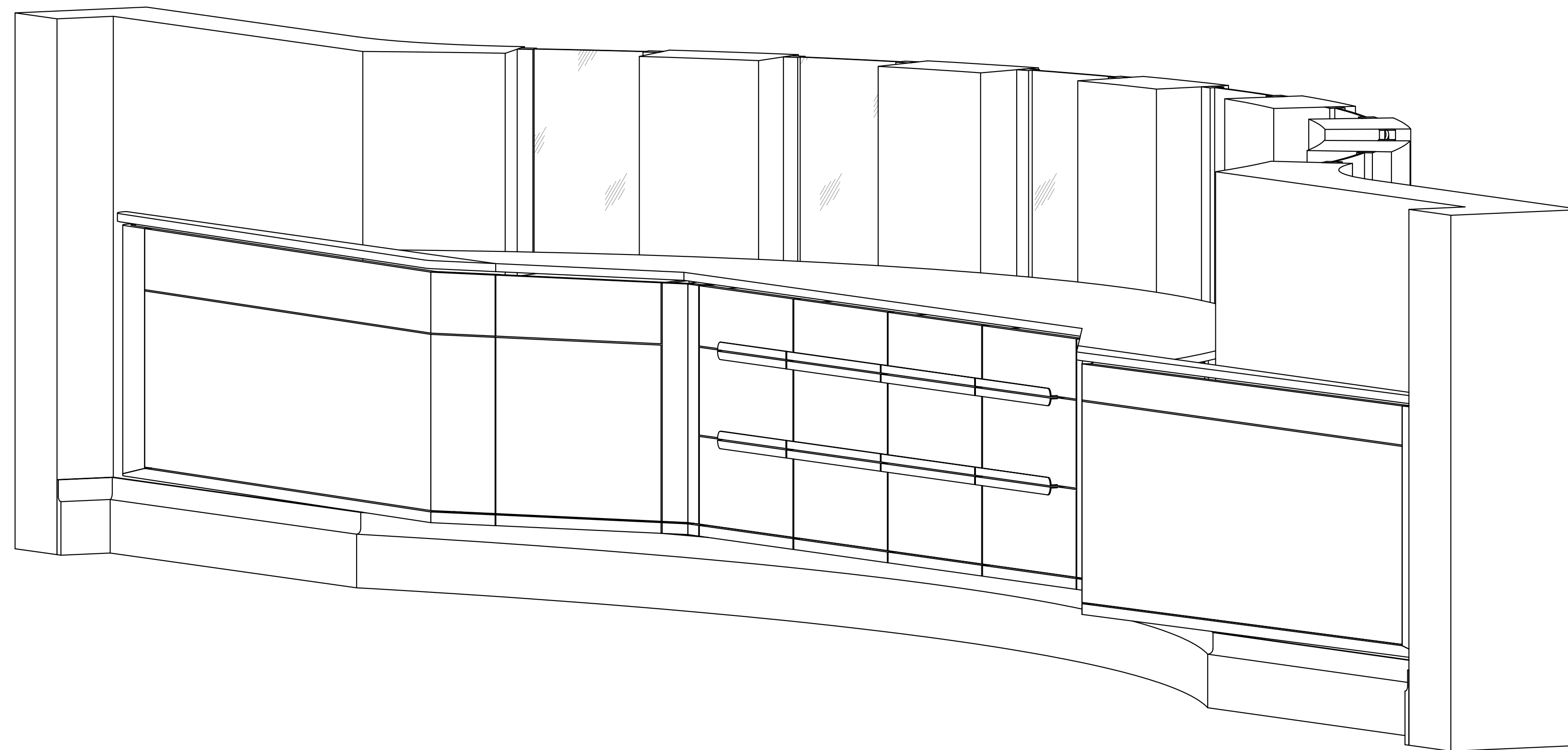
BEECHWOD UPDATE
MILLWORK SHOP DRAWINGS
DINING ROOM CRENZNA

PROJECT MANAGER	PROJECT ID
DRAWN BY	SCALE
REVIEWED BY	SHEET NO.
DATE	AS NOTED
CAD FILE NAME	
0657-006 - SAMPLE.DWG	

5.01



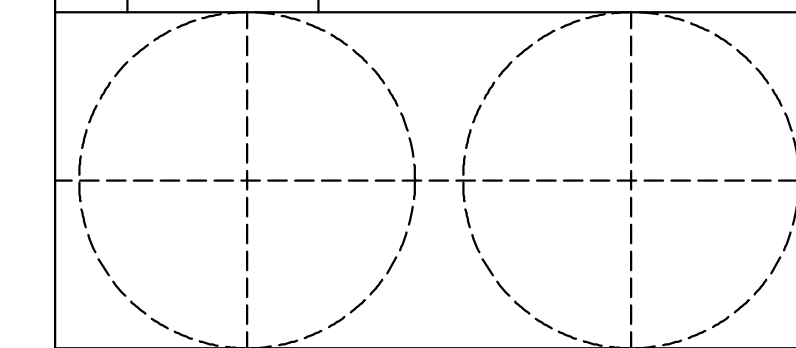
B DINING ROOM CREDENZA - ISO VIEW
 SCALE: NOT TO SCALE
 ARCH REF: NONE



C DINING ROOM CREDENZA - ISO VIEW
 SCALE: NOT TO SCALE
 ARCH REF: NONE

SUPERIOR
 SHOP DRAWINGS
 CONFIDENTIALITY NOTICE: THESE SAMPLES ARE FOR THE SOLE USE OF THE INTENDED RECIPIENT(S). IT MAY CONTAIN CONFIDENTIAL AND PRIVILEGED INFORMATION. ANY UNAUTHORIZED REVIEW, USE, DISCLOSURE, OR DISTRIBUTION IS PROHIBITED.

NO.	DATE	ISSUE NOTES
1	11/12/19	REVISIONS PER MARKUPS
2	11/14/19	REVISIONS PER MARKUPS
3	12/02/19	REVISIONS PER MARKUPS



DESIGN FIRM
 CONSULTANT
 PROJECT TITLE
 BEECHWOD UPDATE
 SHEET TITLE
 MILLWORK SHOP DRAWINGS
 DINING ROOM CRADENZA

PROJECT MANAGER	PROJECT ID
DRAWN BY SSD	SCALE AS NOTED
REVIEWED BY	SHEET NO. 5.02
DATE XX/XX/XXXX	
CAD FILE NAME 0657-006 - SAMPLE.DWG	