

SUPERIOR

SHOP DRAWINGS

DRAWING LIST:

0.1 COVER PAGE

1.1 PLAN: MEDICINE CABINET

1.2 ELEVATION: A

1.3 SECTION: 1

2.1 PLAN: FACE FRAME

2.2 ELEVATION: B

2.3 DETAILS: 1/2

3.1 PLAN: DOOR

3.2 ELEVATION: C

3.3 DETAILS: 3/4

3.4 DETAILS: 5/6

3.5 DETAILS: 7

4.1 PLAN: CASE

4.2 ELEVATION: D

4.3 DETAILS: 8

4.4 DETAILS: 9/10

4.5 DETAILS: 11

5.1 PLAN: PLYWOOD CUTTING DIAGRAM

5.2 PLAN: PLYWOOD CUTTING DIAGRAM

PARTS LIST:

FACE FRAME:

(1) TOP RAIL - 3/4" X 1-1/2" X 21"

(1) BOTTOM RAIL - 3/4" X 3" X 21"

(1) LEFT STILE - 3/4" X 1-1/2" X 36"

(1) RIGHT STILE - 3/4" X 1-1/2" X 36"

DOOR:

(1) TOP RAIL - 3/4" X 2-1/2" X 18-5/16"

(1) BOTTOM RAIL - 3/4" X 2-1/2" X 18-5/16"

(1) LEFT STILE - 3/4" X 2-1/2" X 32-13/16"

(1) RIGHT STILE - 3/4" X 2-1/2" X 32-13/16"

PLYWOOD CASE PARTS:

(1) TOP - 3/4" X 5" X 23-1/4"

(1) BOTTOM - 3/4" X 5" X 23-1/4"

(2) LEFT & RIGHT SIDES - 3/4" X 5-1/4" X 36"

(2) ADJUSTABLE SHELF - 3/4" X 4" X 22-7/16"

(1) BACK - 1/2" X 23-1/4" X 33"

MISC PARTS:

(2) EDGE BANDING - 3/4" X 1/4" X 23-1/4"

(2) EDGE BANDING - 3/4" X 1/4" X 22-7/16"

(2) GLASS STOP - 1/4" X 1/4" X 29-9/16"

(2) GLASS STOP - 1/4" X 1/4" X 16-9/16"

(1) MIRROR BACKER - 1/8" X 16-9/16" X 28-9/16"

(1) MIRROR - 1/8" X 16-7/16" X 28-7/16"

PANEL STOCK / LUMBER:

PANEL STOCK:

(1) 3/4" PLYWOOD - 48" X 48" HALF SHEET

(1) 1/2" PLYWOOD - 48" X 48" HALF SHEET

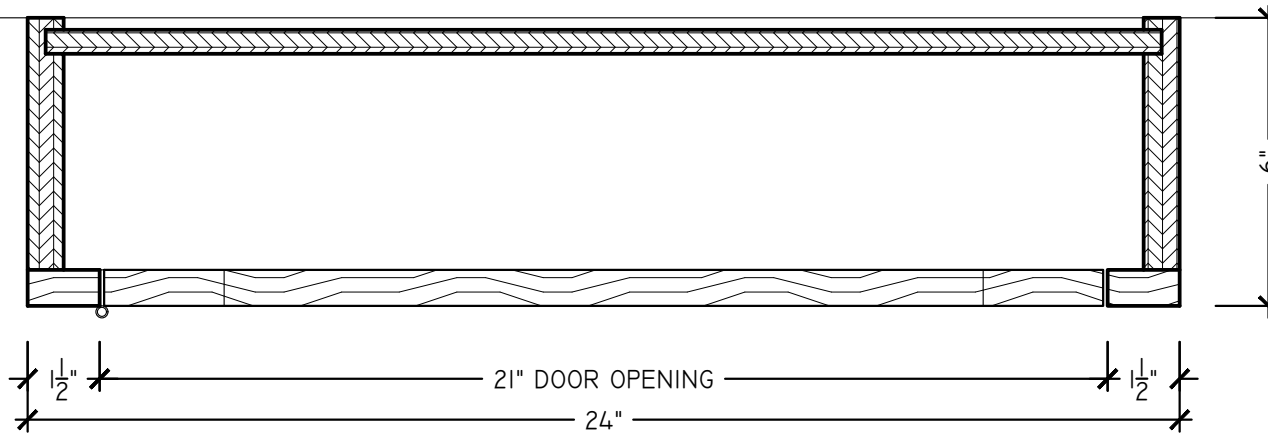
LUMBER:

4/4 SOLID WOOD - APROX 4 BOARD FEET

INCLUDES 20% WASTE

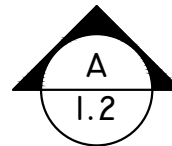
JOB NAME:		DIY MEDICINE CABINET
REVISION:		SHEET: 0.1
DATE:	08/12/2018	
DRAFTER:	SSD-WW	

ANCHOR CABINET
TO WALL STUD



PLAN

MEDICINE CABINET
SCALE: 3" = 1'-0"



SUPERIOR
SHOP DRAWINGS

REVISED:

NOTES:

EARTH MAGNETS MAY BE PLACED IN THE DOOR TOP RAIL AND FACE FRAME TOP RAIL TO KEEP THE DOOR CLOSED

JOB NAME:

DIY MEDICINE CABINET

SCALE: AS NOTED

DATE: 08/12/2018

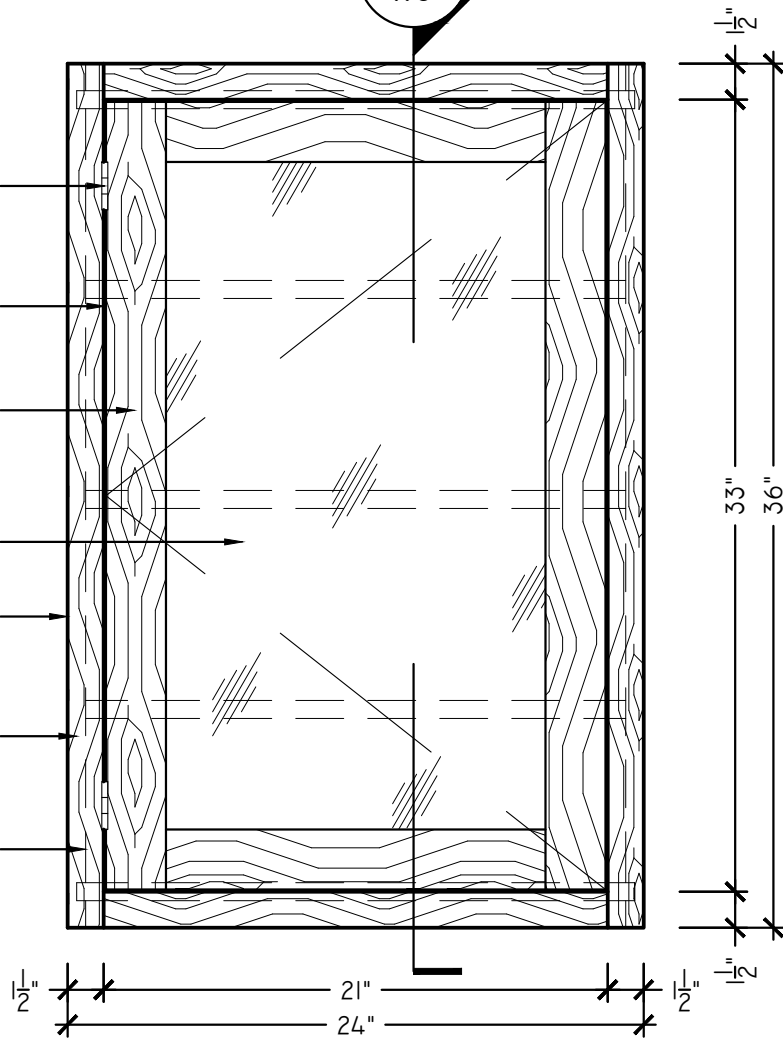
DRAFTER: SSD-WW

SHEET:

1.1

SI
1.3

NON-MORTISE BUTT HINGE
 $\frac{3}{32}$ " GAP AROUND DOOR
WOOD DOOR WITH MIRROR INSERT
MIRROR
FINISHED SIDE TYP. BOTH SIDES
WOOD FACE FRAME
LINE OF PLYWOOD CASE BEHIND FRAME



A

ELEVATION
MEDICINE CABINET
SCALE: 1-1/2" = 1'-0"

REVISED:

NOTES:

JOB NAME:

DIY MEDICINE CABINET

SCALE: AS NOTED

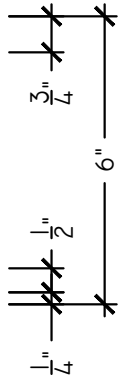
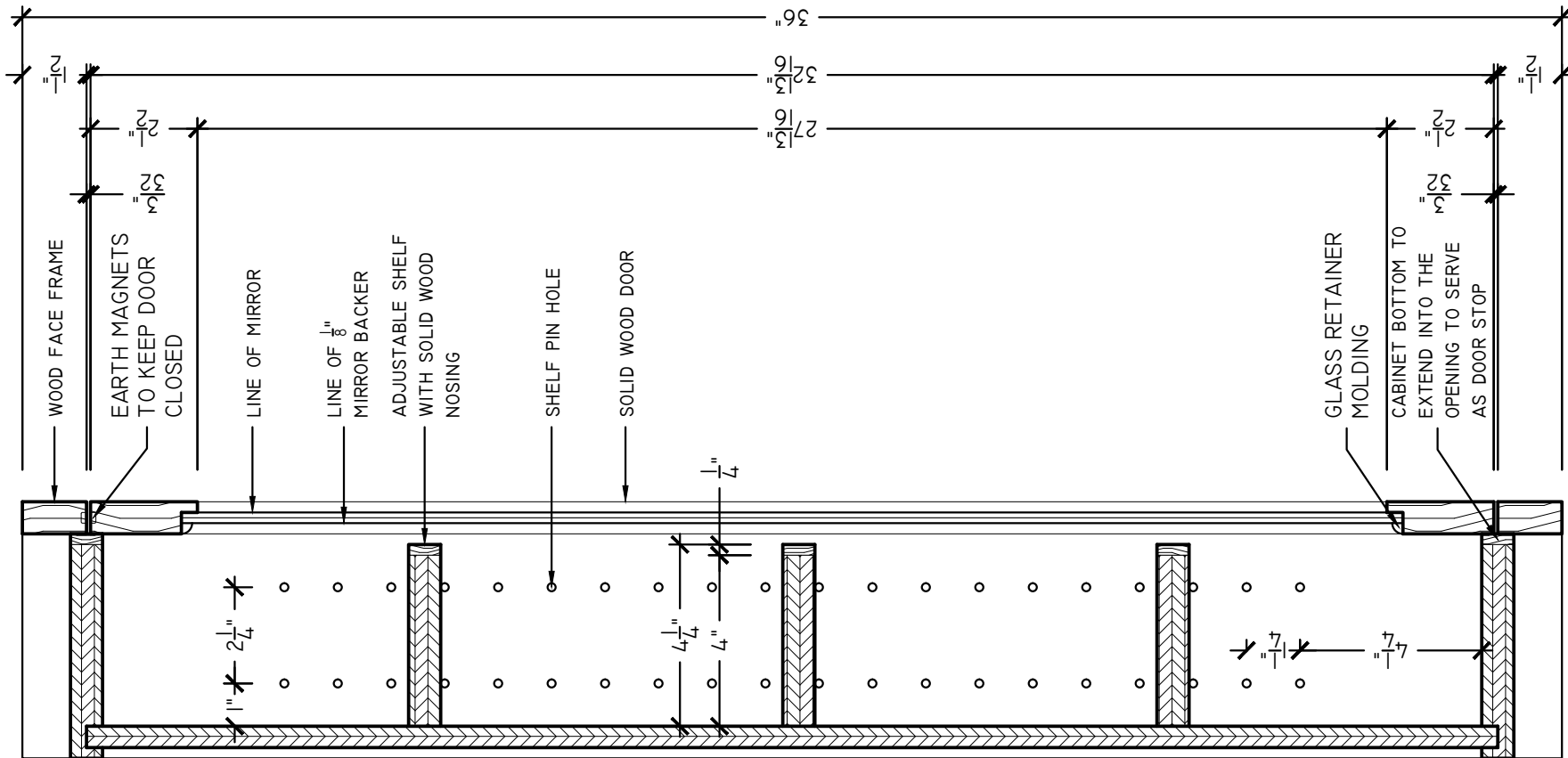
DATE: 08/12/2018

DRAFTER: SSD-WW

SHEET:

1.2

SUPERIOR
SHOP DRAWINGS



SECTION
 MEDICINE CABINET
 SCALE: 3" = 1'-0"

SUPERIOR
 SHOP DRAWINGS

REVISED:

NOTES:

JOB NAME:

DIY MEDICINE CABINET

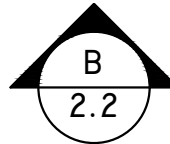
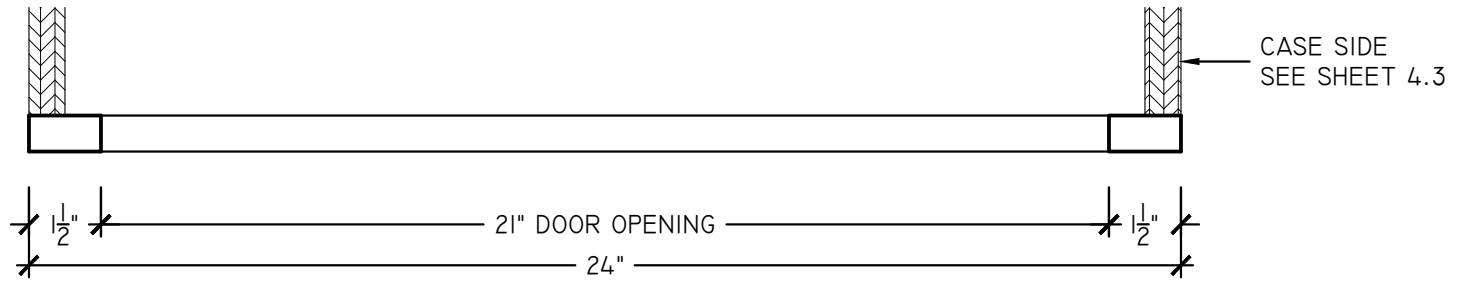
SCALE: AS NOTED

DATE: 08/12/2018

DRAFTER: SSD-WW

SHEET:

1.3



PLAN

FACE FRAME
SCALE: 3" = 1'-0"

SUPERIOR
SHOP DRAWINGS

REVISED:

NOTES:

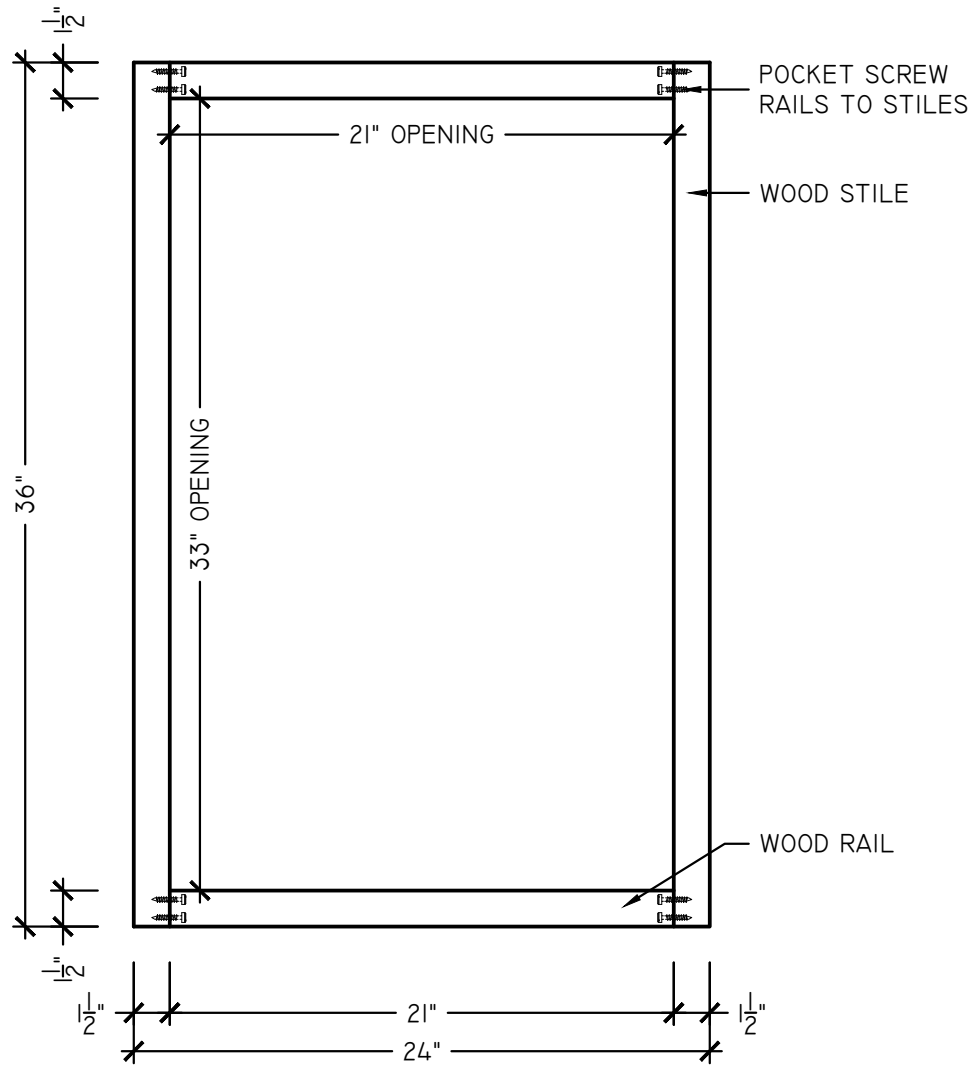
JOB NAME:
DIY MEDICINE CABINET

SCALE: AS NOTED

DATE: 08/12/2018

DRAFTER: SSD-WW

SHEET:
2.1



B ELEVATION
 FACE FRAME
 SCALE: 1-1/2" = 1'-0"

REVISED:

JOB NAME:
 DIY MEDICINE CABINET

NOTES:

SCALE: AS NOTED

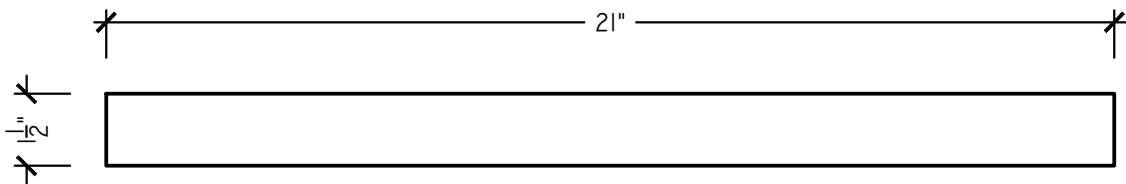
SHEET:

DATE: 08/12/2018

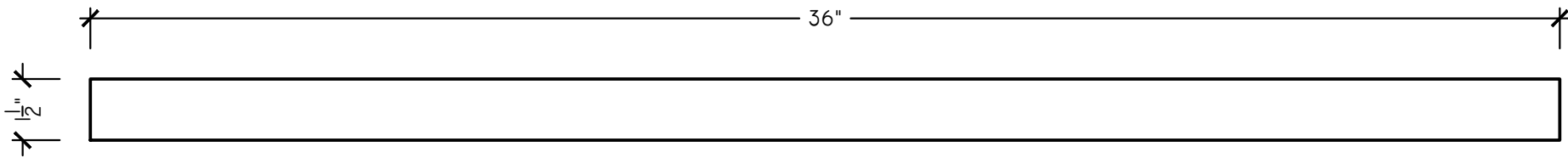
DRAFTER: SSD-WW

2.2

SUPERIOR
 SHOP DRAWINGS



D1 DETAIL
 FACE FRAME - TOP AND BOTTOM RAILS
 SCALE: 3" = 1'-0"



D2 DETAIL
 FACE FRAME - LEFT AND RIGHT STILES
 SCALE: 3" = 1'-0"

SUPERIOR
 SHOP DRAWINGS

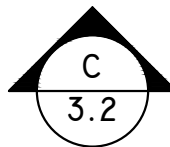
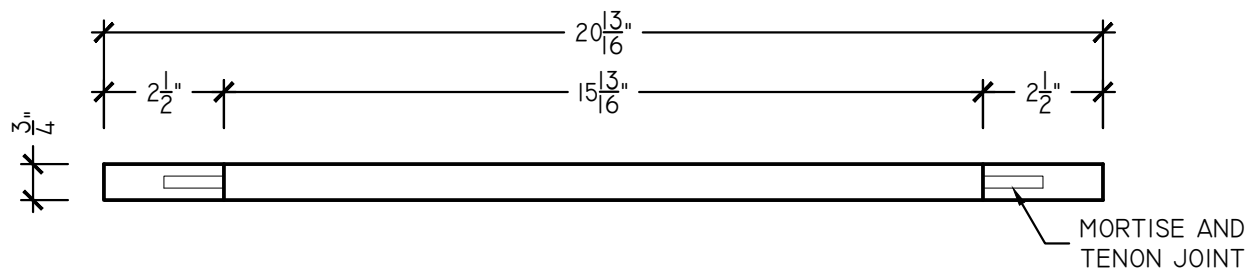
REVISED:

JOB NAME:
DIY MEDICINE CABINET

NOTES:

SCALE: AS NOTED
 DATE: 08/12/2018
 DRAFTER: SSD-WW

SHEET:
2.3



PLAN
DOOR
SCALE: 3" = 1'-0"

SUPERIOR
SHOP DRAWINGS

REVISED:

NOTES:

JOB NAME:
DIY MEDICINE CABINET

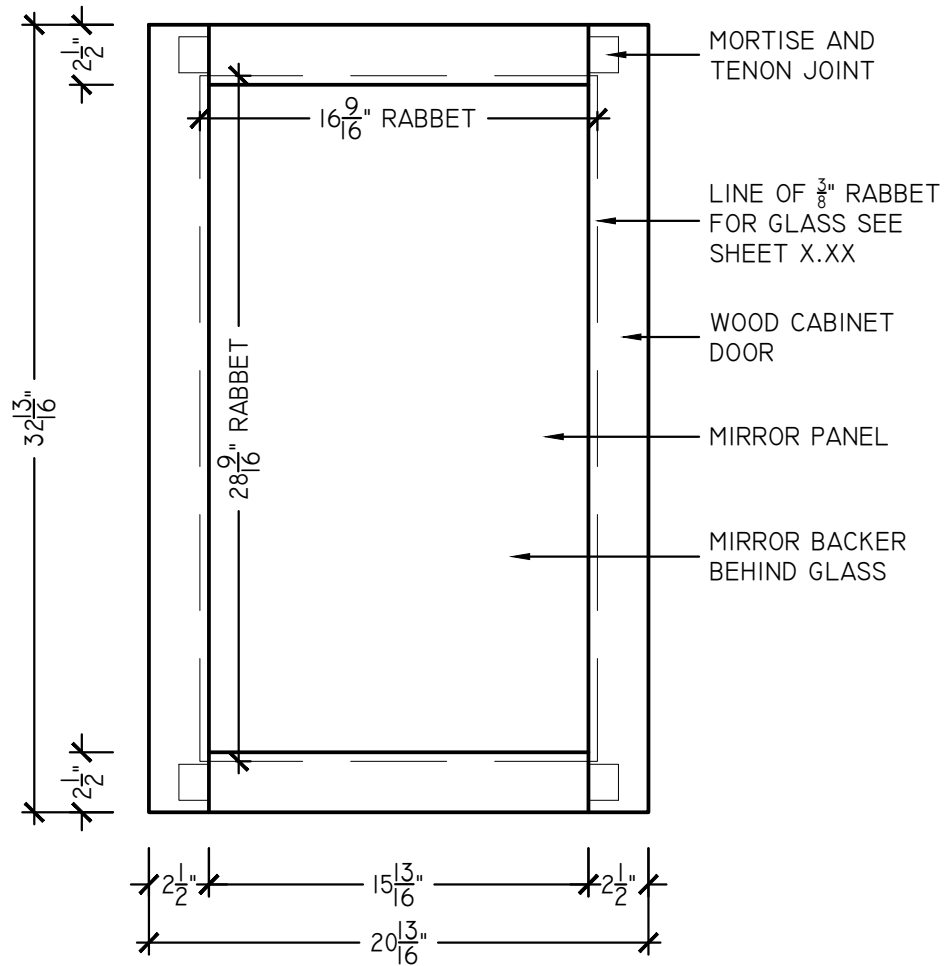
SCALE: AS NOTED

DATE: 08/12/2018

DRAFTER: SSD-WW

SHEET:

3.1



C ELEVATION
 DOOR
 SCALE: 1-1/2" = 1'-0"

REVISED:

JOB NAME:
 DIY MEDICINE CABINET

NOTES:

SCALE: AS NOTED

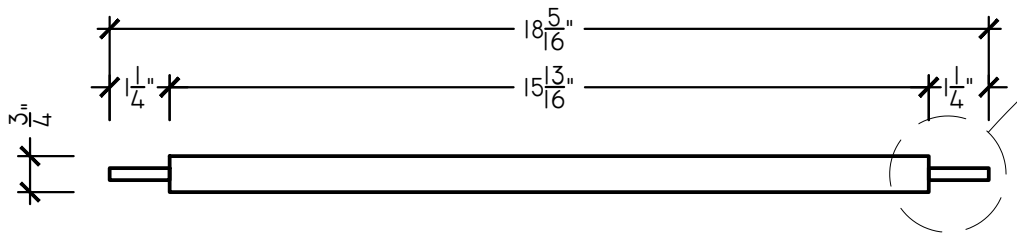
SHEET:

DATE: 08/12/2018

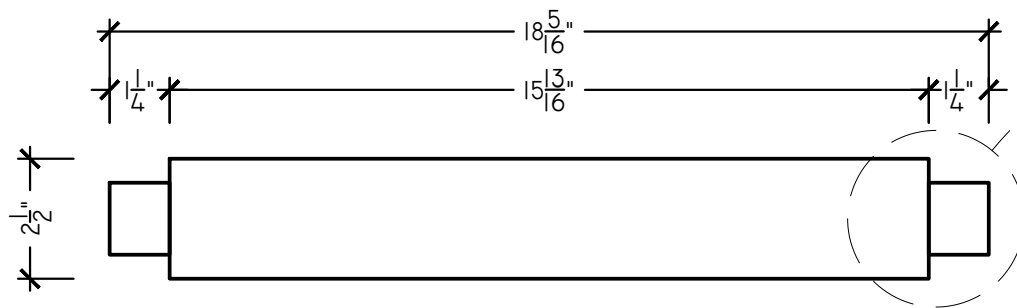
DRAFTER: SSD-WW

3.2

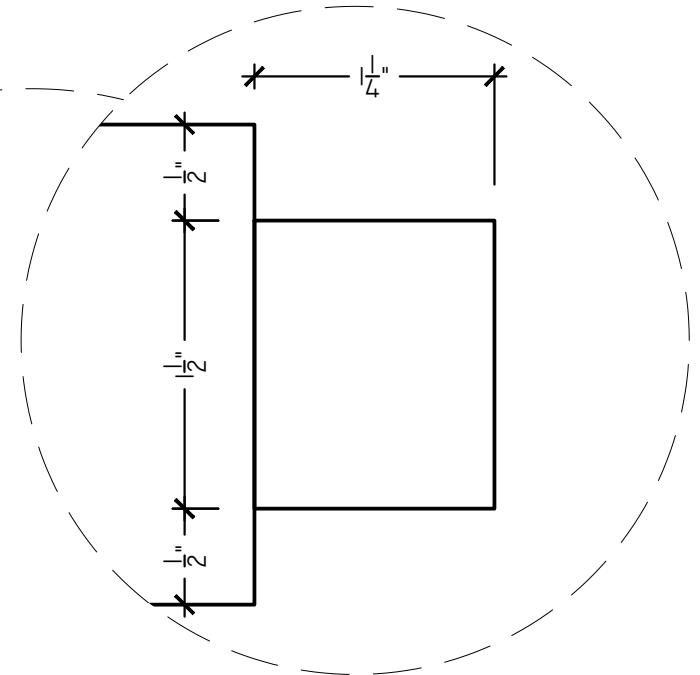
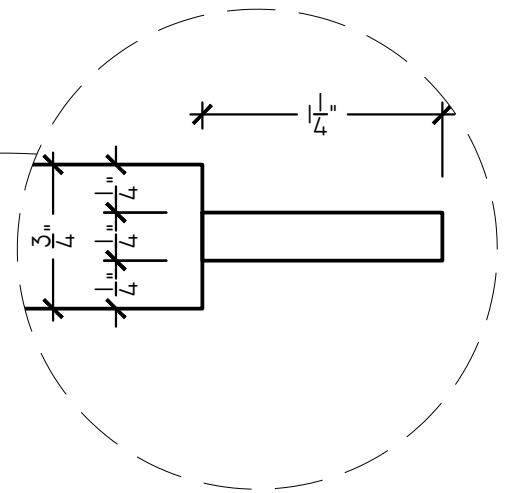
SUPERIOR
SHOP DRAWINGS



D3 DETAIL
DOOR - TOP AND BOTTOM RAILS
SCALE: 3" = 1'-0"



D4 DETAIL
DOOR - TOP AND BOTTOM RAILS
SCALE: 3" = 1'-0"



SUPERIOR
SHOP DRAWINGS

REVISED:

NOTES:

JOB NAME:

DIY MEDICINE CABINET

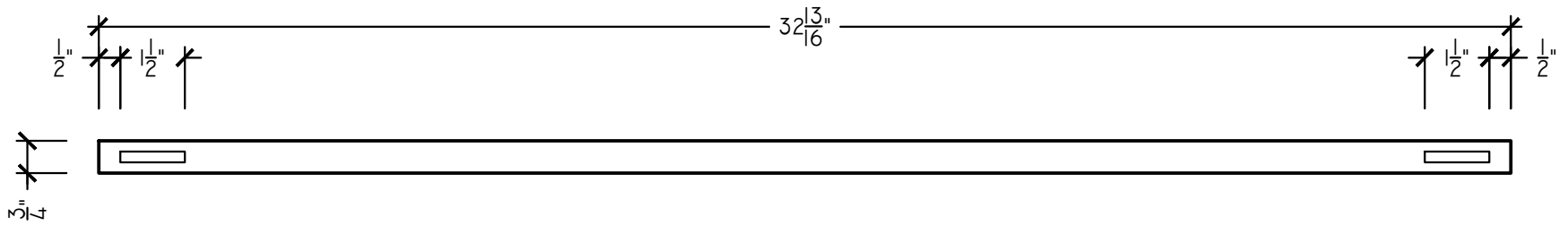
SCALE: AS NOTED

SHEET:

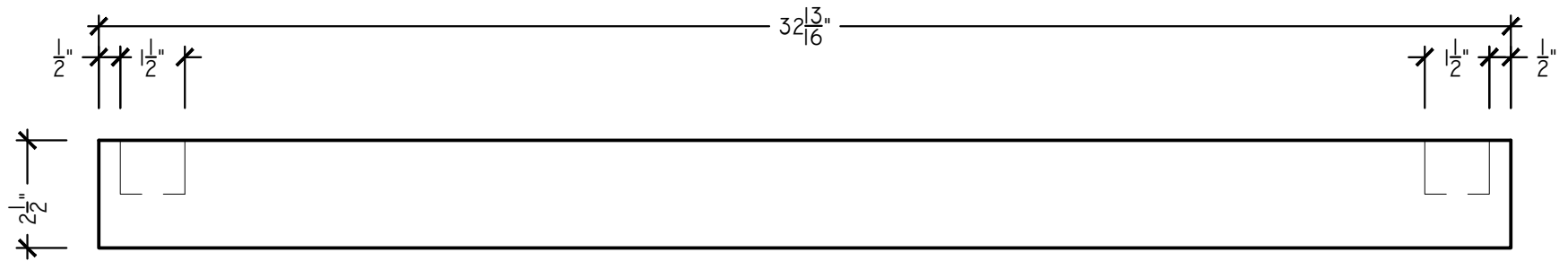
DATE: 08/12/2018

DRAFTER: SSD-WW

3.3



D5 DETAIL
 DOOR - LEFT AND RIGHT STILES
 SCALE: 3" = 1'-0"



D6 DETAIL
 DOOR - LEFT AND RIGHT STILES
 SCALE: 3" = 1'-0"

SUPERIOR
 SHOP DRAWINGS

REVISED:

NOTES:

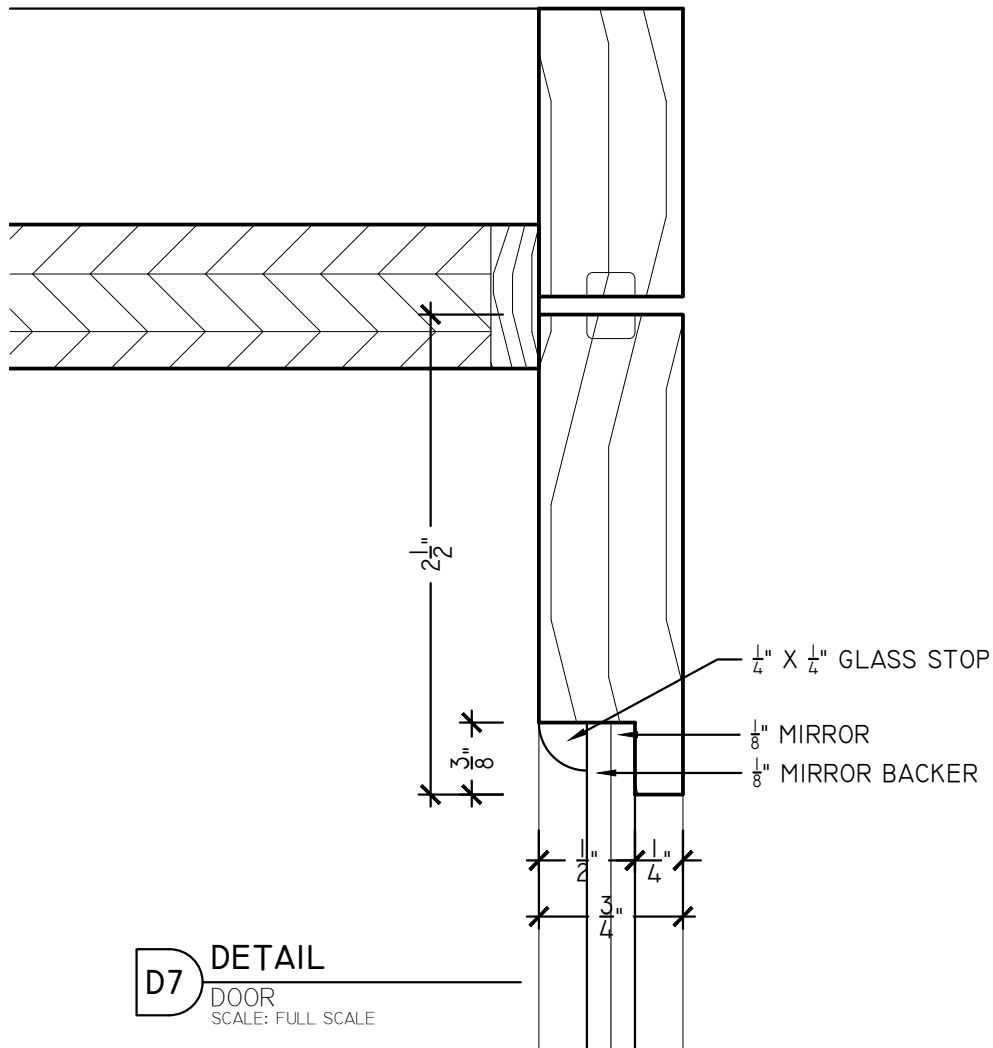
JOB NAME:
 DIY MEDICINE CABINET

SCALE: AS NOTED

DATE: 08/12/2018

DRAFTER: SSD-WW

SHEET:
3.4



D7 DETAIL
DOOR
SCALE: FULL SCALE

SUPERIOR
SHOP DRAWINGS

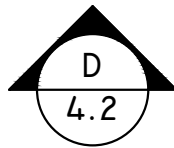
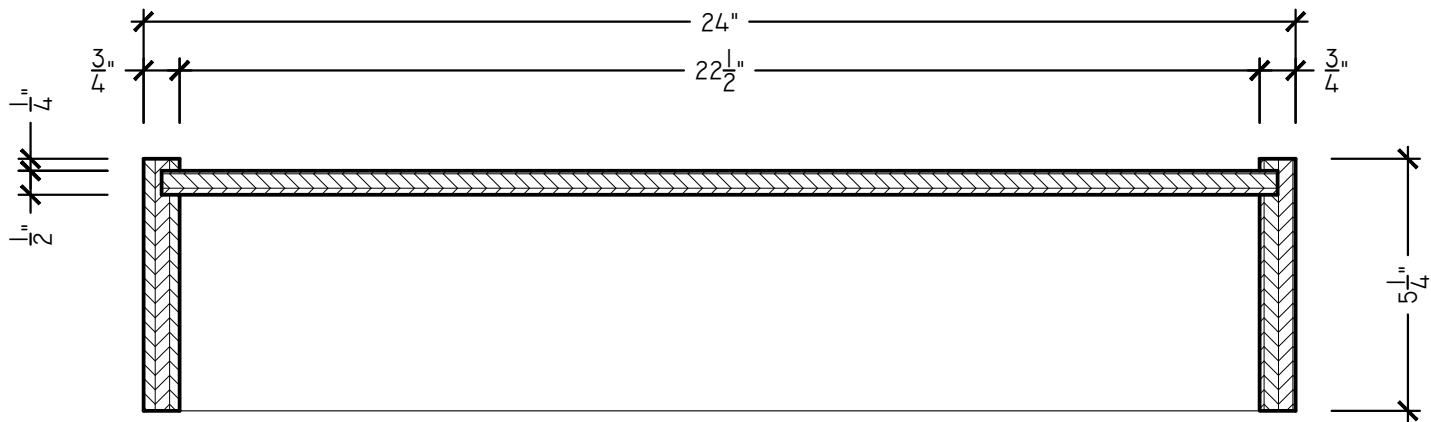
REVISED:

NOTES:

JOB NAME:
DIY MEDICINE CABINET

SCALE: AS NOTED
DATE: 08/12/2018
DRAFTER: SSD-WW

SHEET:
3.5



PLAN
CASE
SCALE: 3" = 1'-0"

SUPERIOR
SHOP DRAWINGS

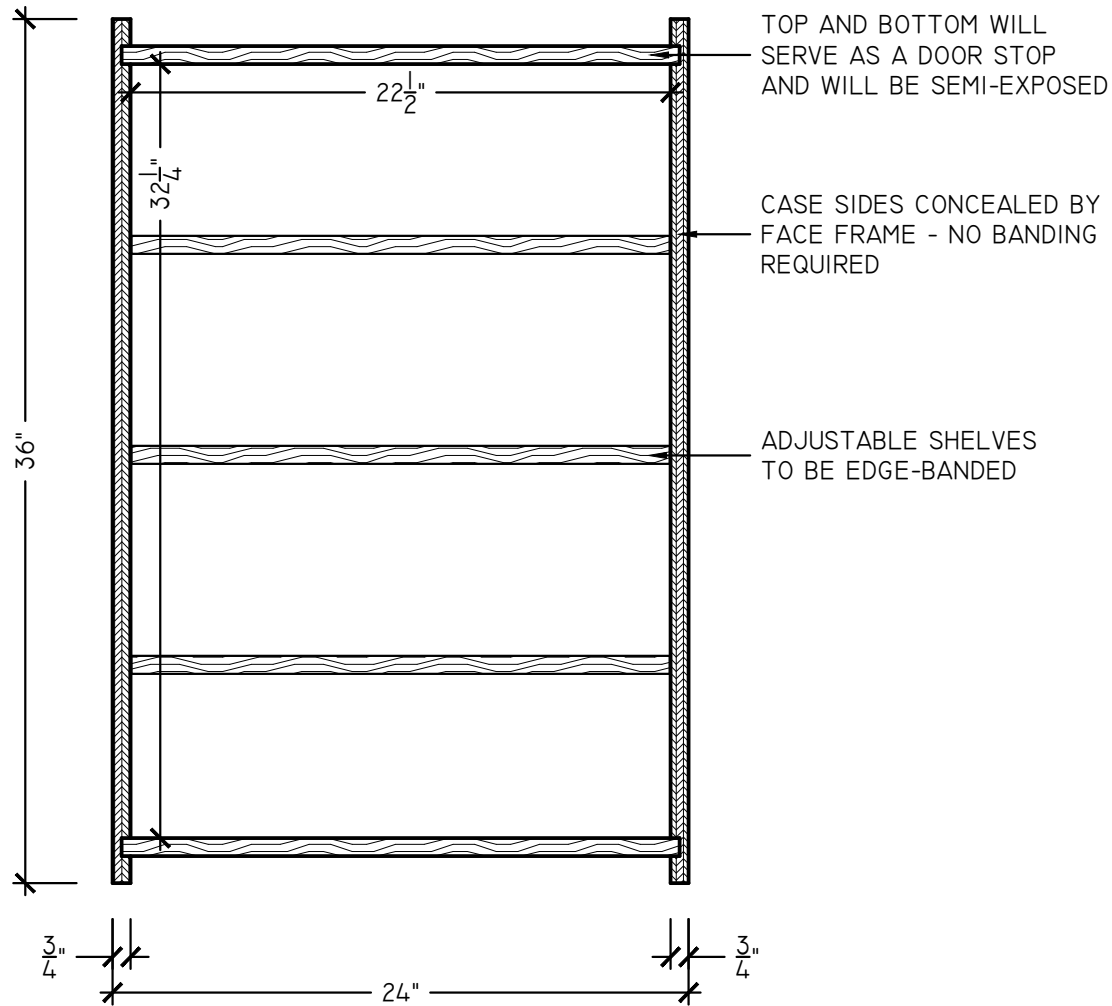
REVISED:

NOTES:

JOB NAME:
DIY MEDICINE CABINET

SCALE: AS NOTED
DATE: 08/12/2018
DRAFTER: SSD-WW

SHEET:
4.1



D ELEVATION
 CASE
 SCALE: 1-1/2" = 1'-0"

SUPERIOR
SHOP DRAWINGS

REVISED:

NOTES:

JOB NAME:
 DIY MEDICINE CABINET

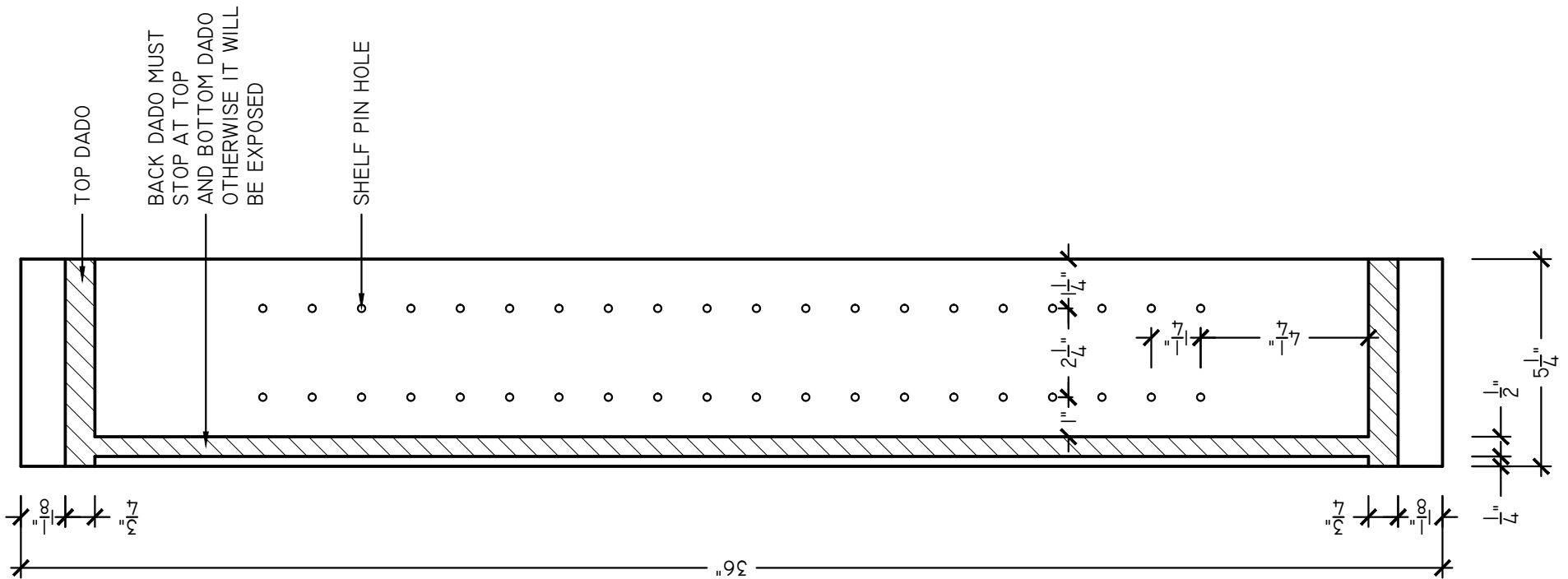
SCALE: AS NOTED

DATE: 08/12/2018

DRAFTER: SSD-WW

SHEET:

4.2



D8 DETAIL
CASE SIDE
SCALE: 3" = 1'-0"

SUPERIOR
SHOP DRAWINGS

REVISED:

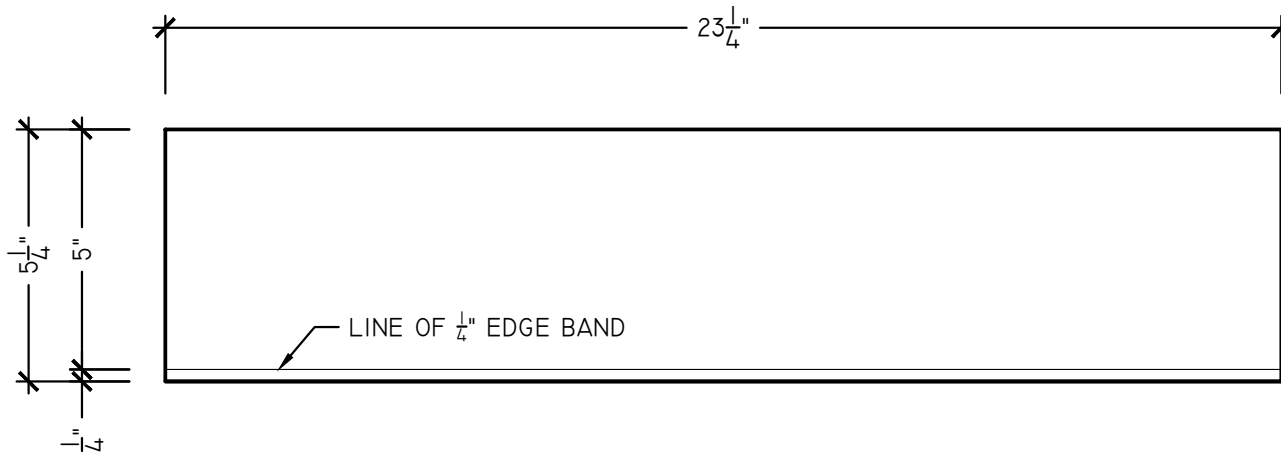
JOB NAME:
DIY MEDICINE CABINET

NOTES:

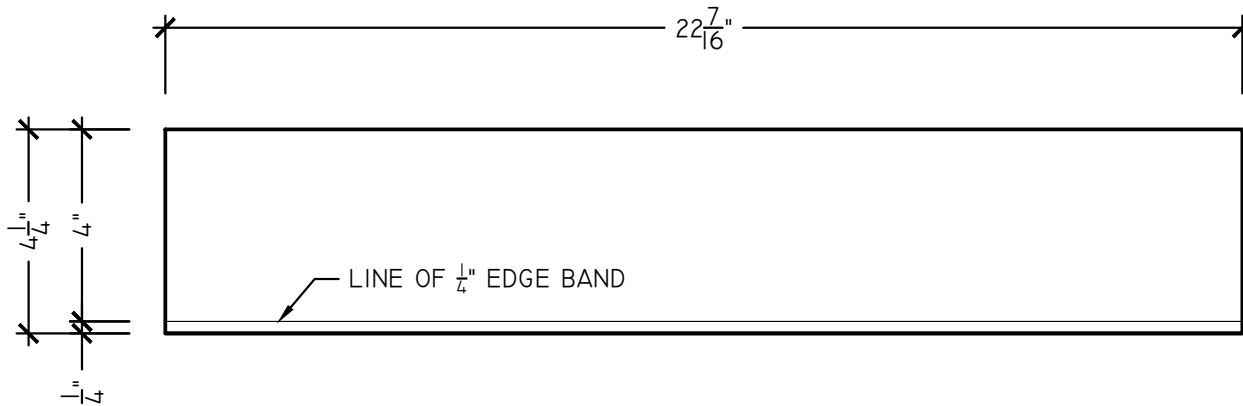
- MACHINE THE TOP AND BOTTOM DADOS FIRST.
- USING A ROUTER WITH A 1/2" STRAIGHT BIT - RUN THE BACK DADO BETWEEN THE TOP AND BOTTOM DADOS.

SCALE: AS NOTED
DATE: 08/12/2018
DRAFTER: SSD-WW

SHEET:
4.3



D9 DETAIL
CASE TOP AND BOTTOM
SCALE: 3" = 1'-0"



D10 DETAIL
ADJUSTABLE SHELF
SCALE: 3" = 1'-0"

SUPERIOR
SHOP DRAWINGS

REVISED:

NOTES:

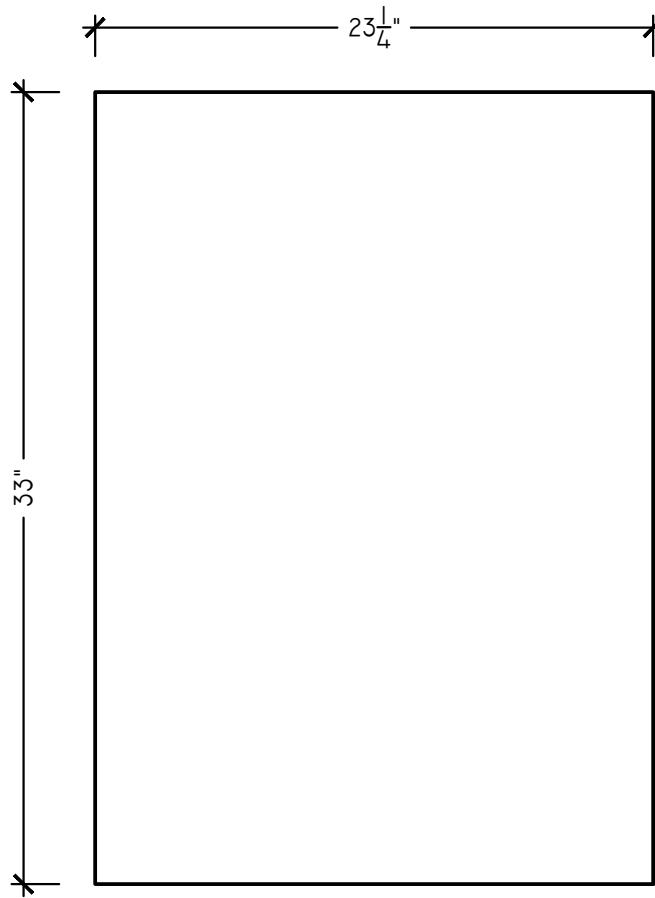
JOB NAME:
DIY MEDICINE CABINET

SCALE: AS NOTED

DATE: 08/12/2018

DRAFTER: SSD-WW

SHEET:
4.4



DII DETAIL
BACK
SCALE: 1-1/2" = 1'-0"

SUPERIOR
SHOP DRAWINGS

REVISED:

NOTES:

JOB NAME:

DIY MEDICINE CABINET

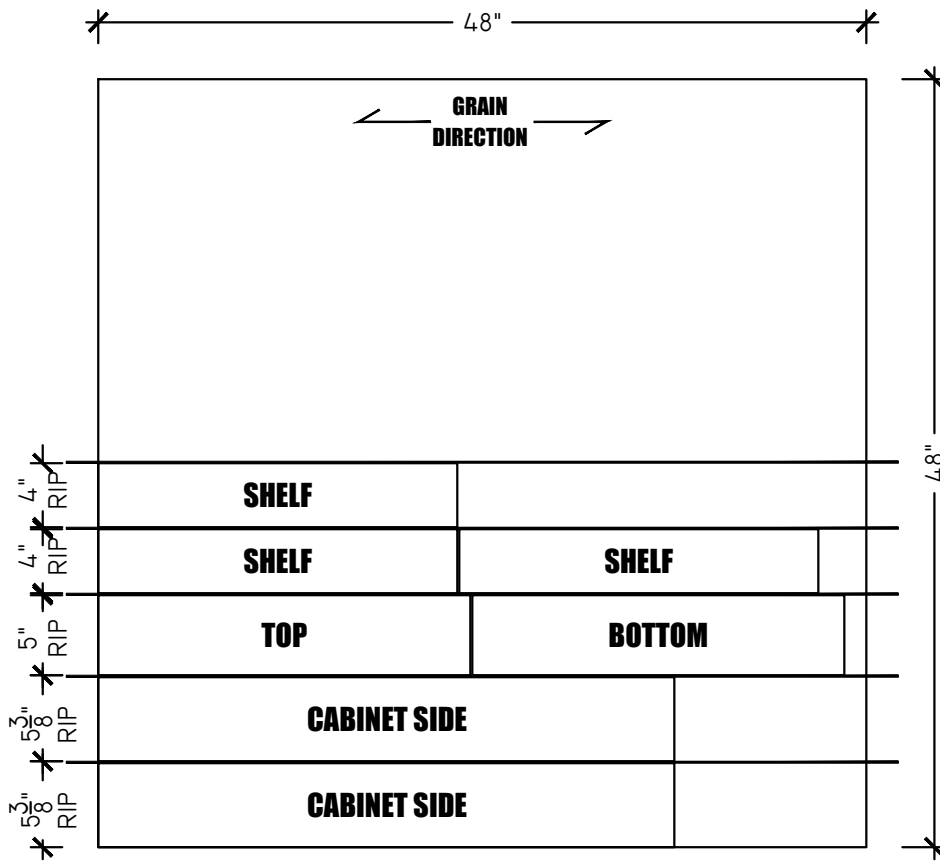
SCALE: AS NOTED

DATE: 08/12/2018

DRAFTER: SSD-WW

SHEET:

4.5



PLAN

3/4" PLYWOOD CUTTING DIAGRAM
SCALE: 1" = 1'-0"

REVISED:

JOB NAME:
DIY MEDICINE CABINET

NOTES:

- RIP SHEET TO SIZE THEN CROSSCUT INDIVIDUAL PARTS
- PLACEMENT OF PARTS ALLOWS FOR 1/8" SAW KERF
- FURNITURE GRADE PLYWOOD IS TYPICALLY OVERSIZED FOR SQUARING

SCALE: AS NOTED

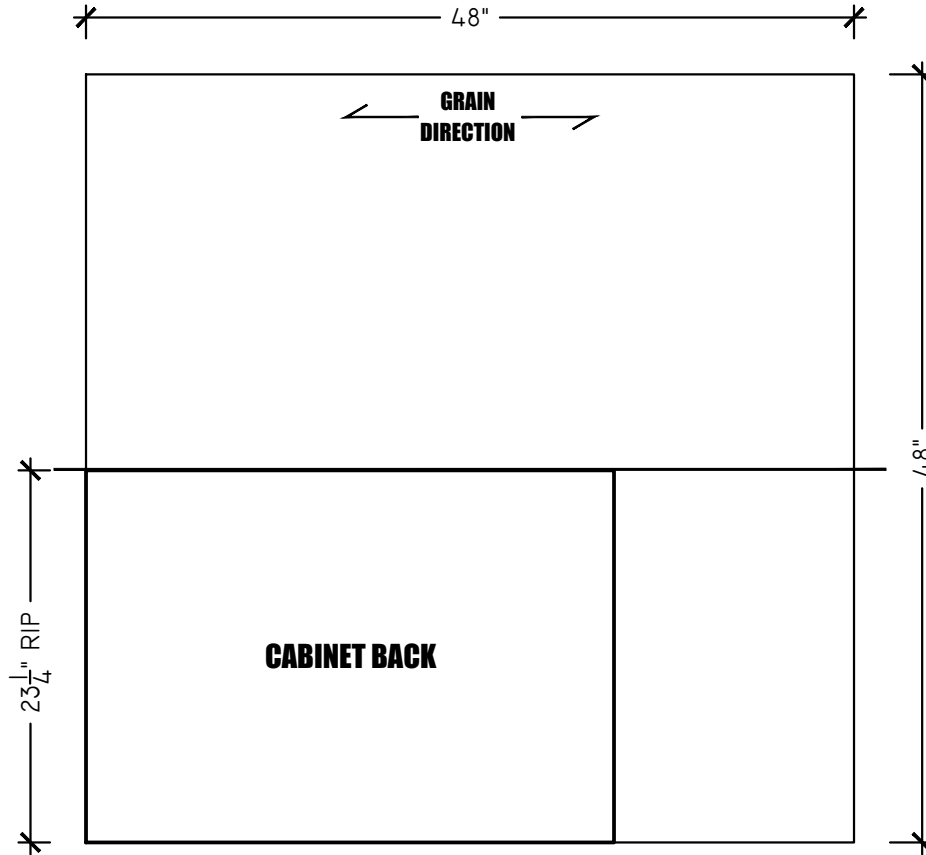
SHEET:

DATE: 08/12/2018

DRAFTER: SSD-WW

5.1

SUPERIOR
SHOP DRAWINGS



PLAN

1/2" PLYWOOD CUTTING DIAGRAM

SCALE: 1" = 1'-0"

REVISED:

JOB NAME:

DIY MEDICINE CABINET

NOTES:

- RIP SHEET TO SIZE THEN CROSSCUT INDIVIDUAL PARTS
- PLACEMENT OF PARTS ALLOWS FOR 1/8" SAW KERF
- FURNITURE GRADE PLYWOOD IS TYPICALLY OVERSIZED FOR SQUARING

SCALE: AS NOTED

SHEET:

DATE: 08/12/2018

DRAFTER: SSD-WW

5.2

SUPERIOR
SHOP DRAWINGS